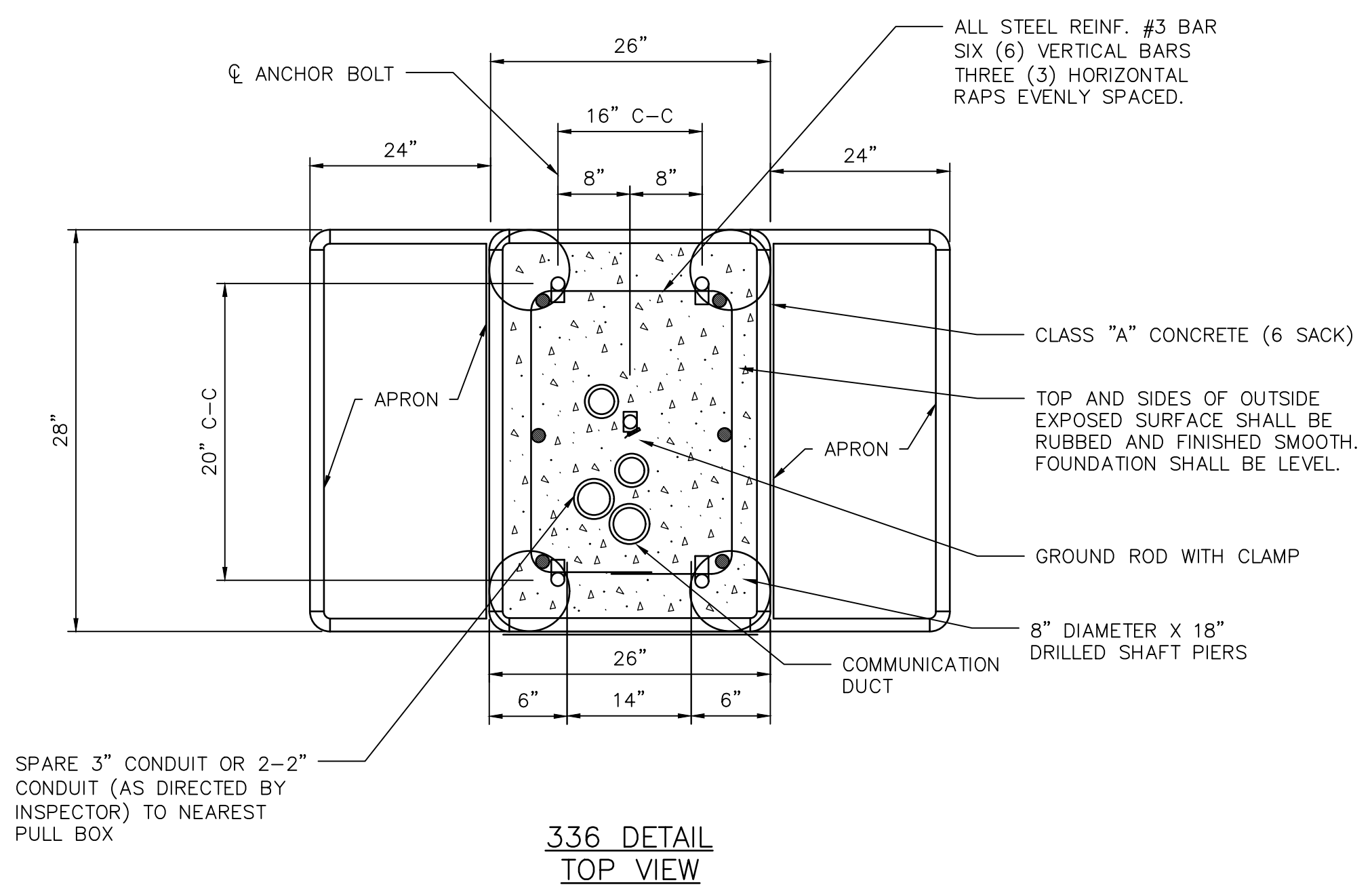
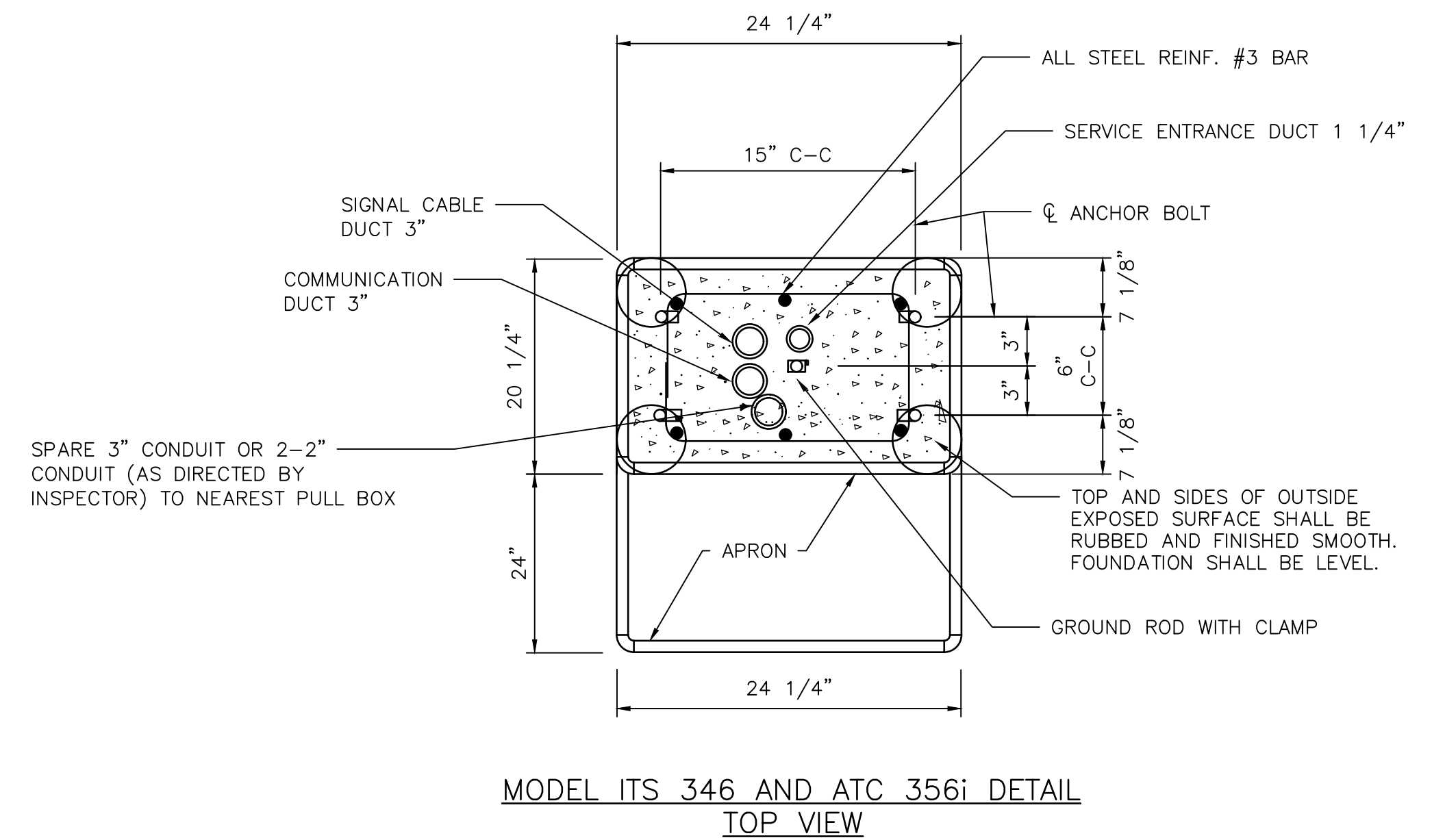


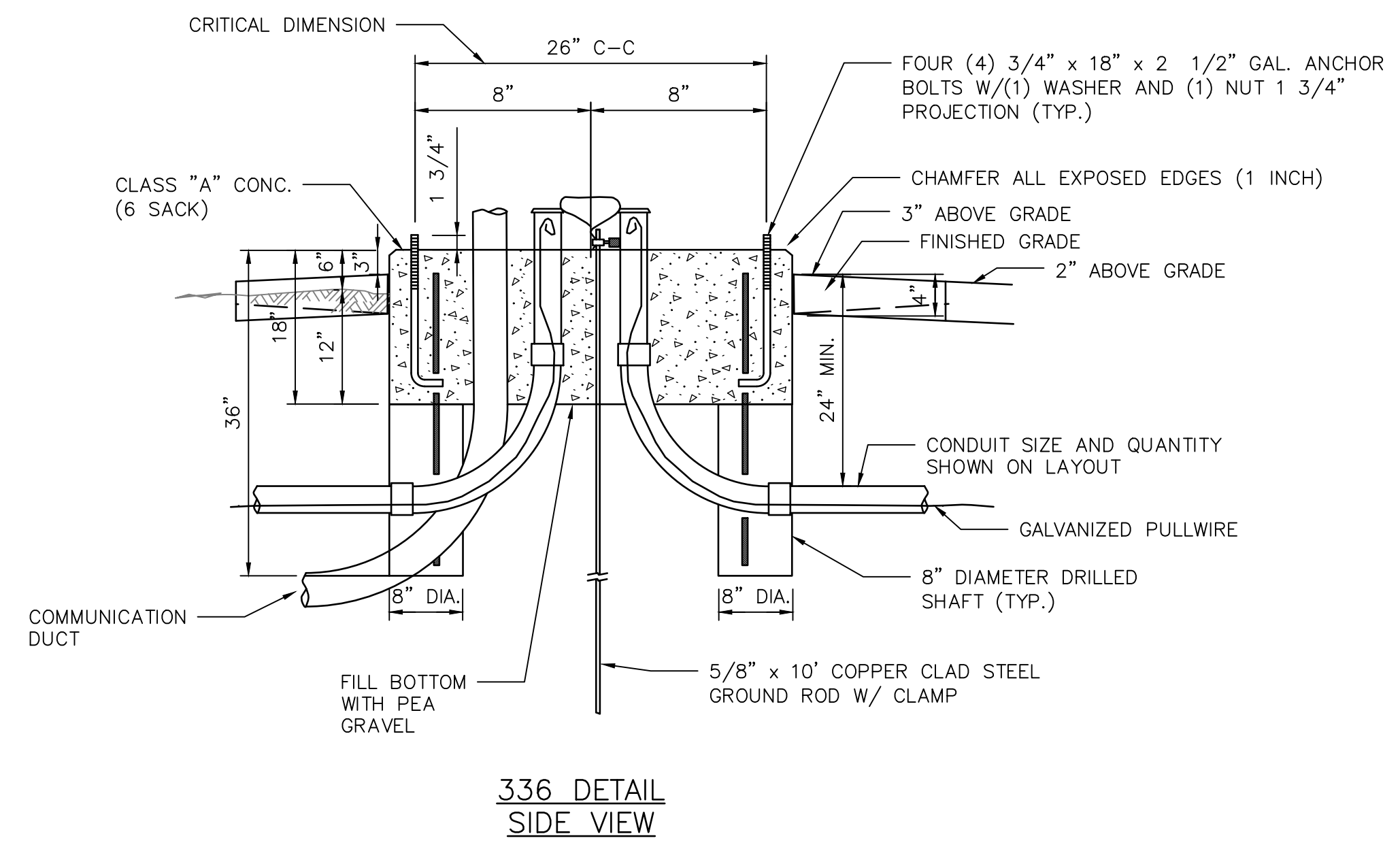
DISCLAIMER: THIS STANDARD IS GOVERNED BY THE TEXAS ENGINEERING PRACTICE ACT. THE DESIGN REQUIREMENTS ON THIS STANDARD DO NOT PURPORT TO ADDRESS ALL OF THE SAFETY CONCERNS ASSOCIATED WITH THE USE OF THIS STANDARD. THE ENGINEER OF RECORD (EOR) IS TO REVIEW THESE DESIGN REQUIREMENTS AND BY AUTHORIZING THEIR USE, ACCEPTS RESPONSIBILITY FOR THEIR APPLICABILITY, ADEQUACY AND SAFETY. NO WARRANTY OF ANY KIND IS MADE BY THE CITY OF HOUSTON FOR ANY PURPOSES WHATSOEVER. THE CITY OF HOUSTON ASSUMES NO RESPONSIBILITY FOR INCORRECT RESULTS OR DAMAGES RESULTING FROM ITS USE.



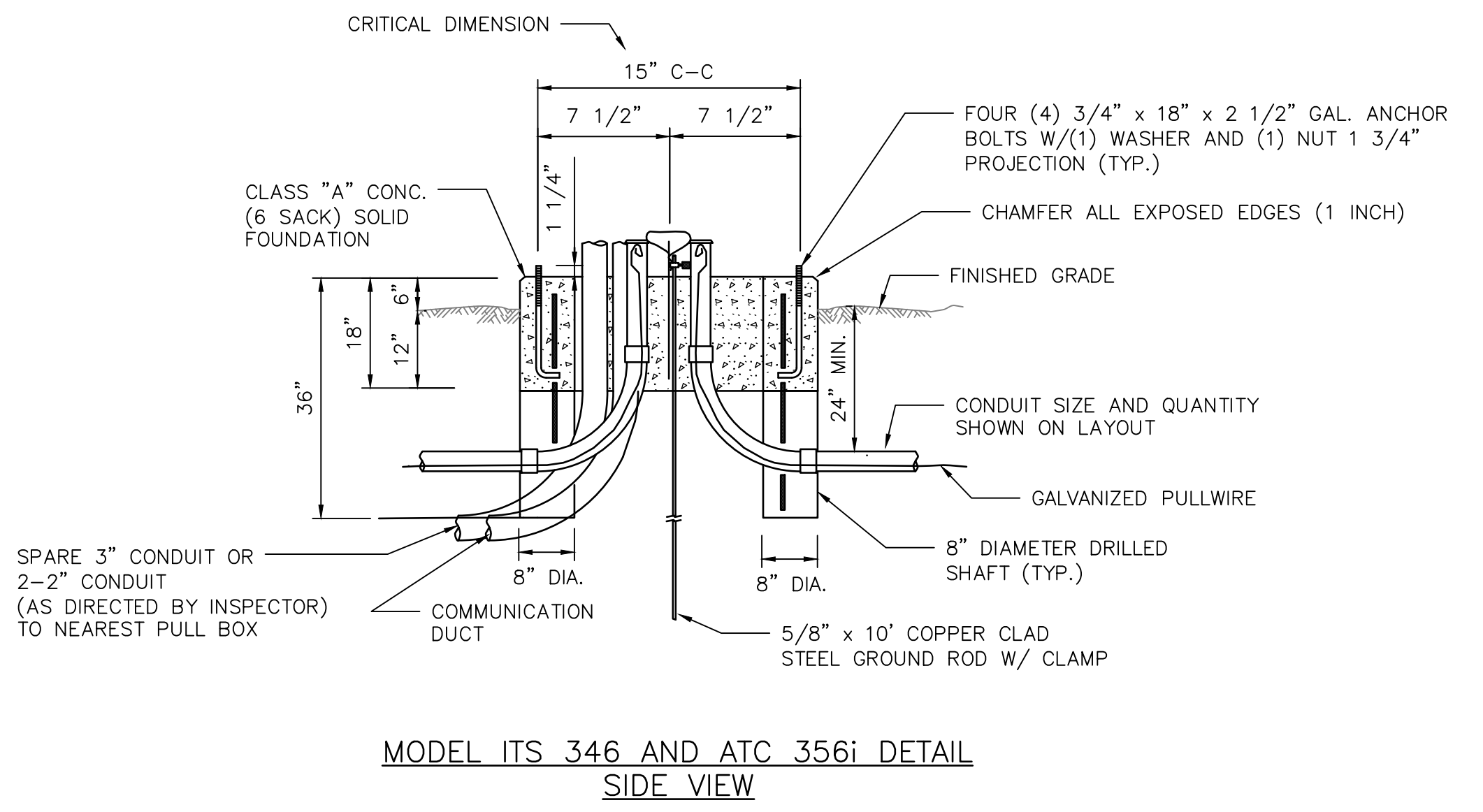
336 DETAIL TOP VIEW



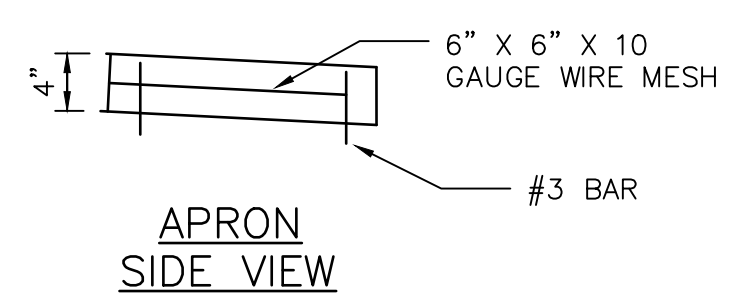
MODEL ITS 346 AND ATC 356i DETAIL TOP VIEW



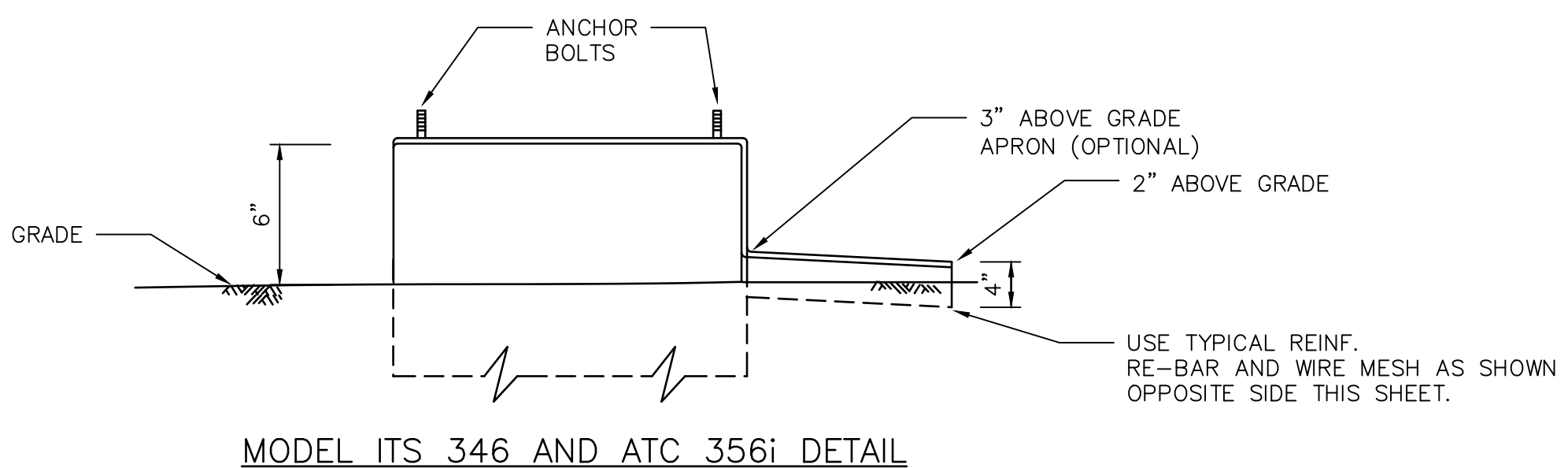
336 DETAIL SIDE VIEW



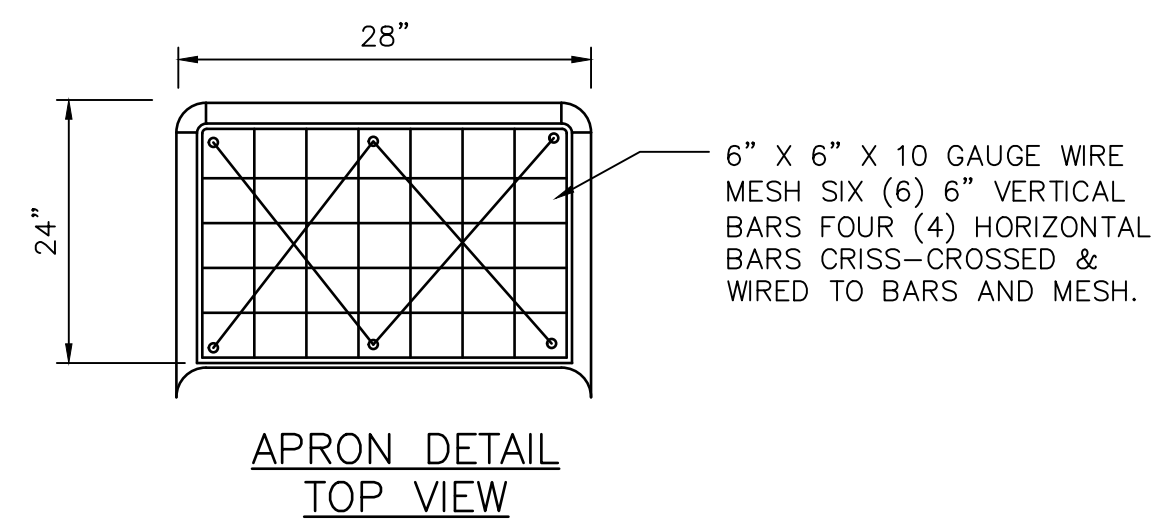
MODEL ITS 346 AND ATC 356i DETAIL SIDE VIEW



APRON SIDE VIEW



MODEL ITS 346 AND ATC 356i DETAIL



APRON DETAIL TOP VIEW

NOTES:
1. APRON TO BE INSTALLED IF NEEDED.

APPROVED BY: SUKAL KANWAR CITY ENGINEER	APPROVED BY: KATHY NGUYEN CITY TRAFFIC ENGINEER
APPROVED BY: CARL STALLARD DIRECTOR OF HOUSTON PUBLIC WORKS	
EFF DATE: NOV-27-2023	DWG NO: 16730-02
CITY OF HOUSTON HOUSTON PUBLIC WORKS STANDARD	
CONTROLLER FOUNDATIONS	
SHEET 02 OF 03	
FOR CITY OF HOUSTON USE ONLY	
DRAWING SCALE	
NOT TO SCALE	