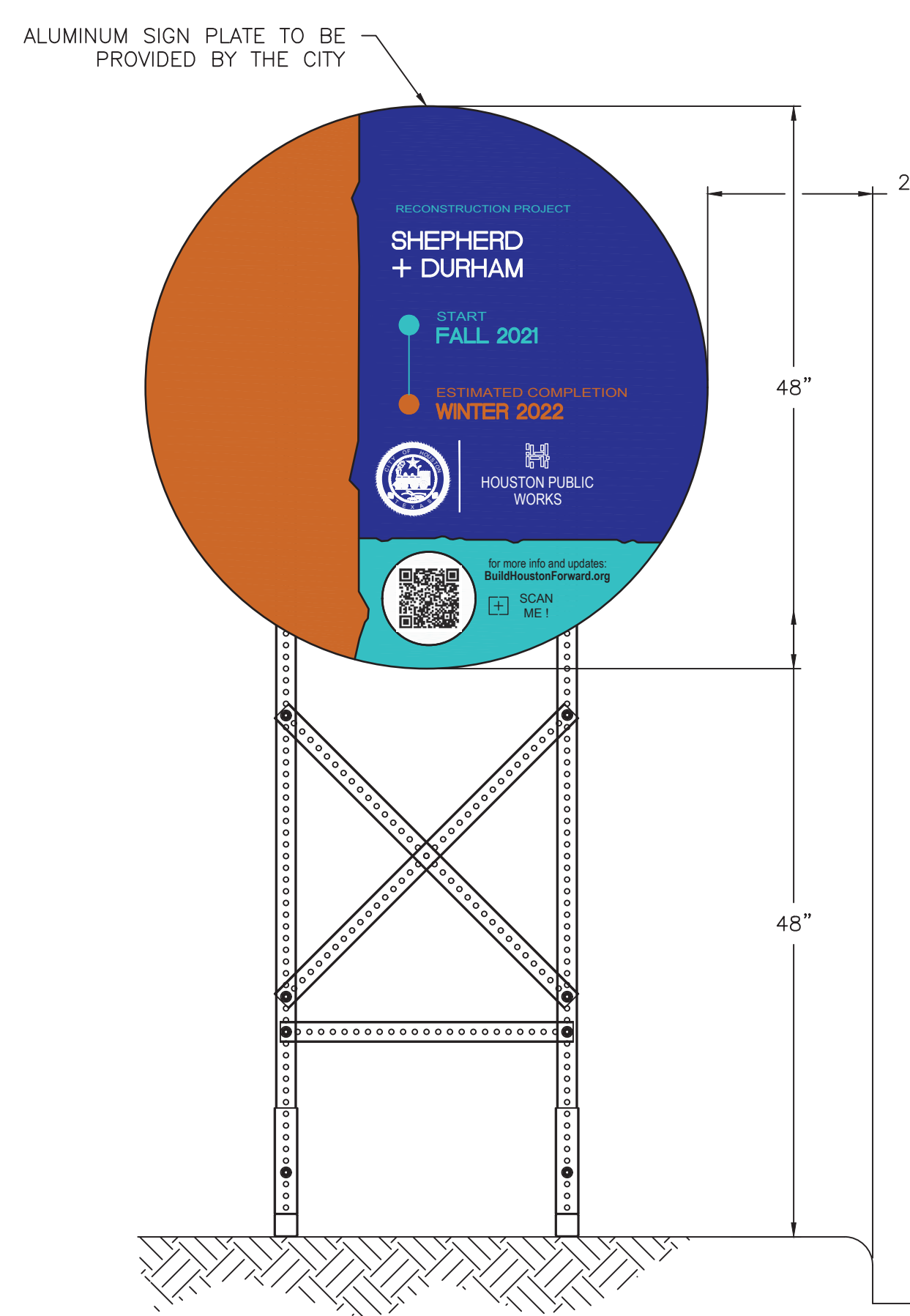
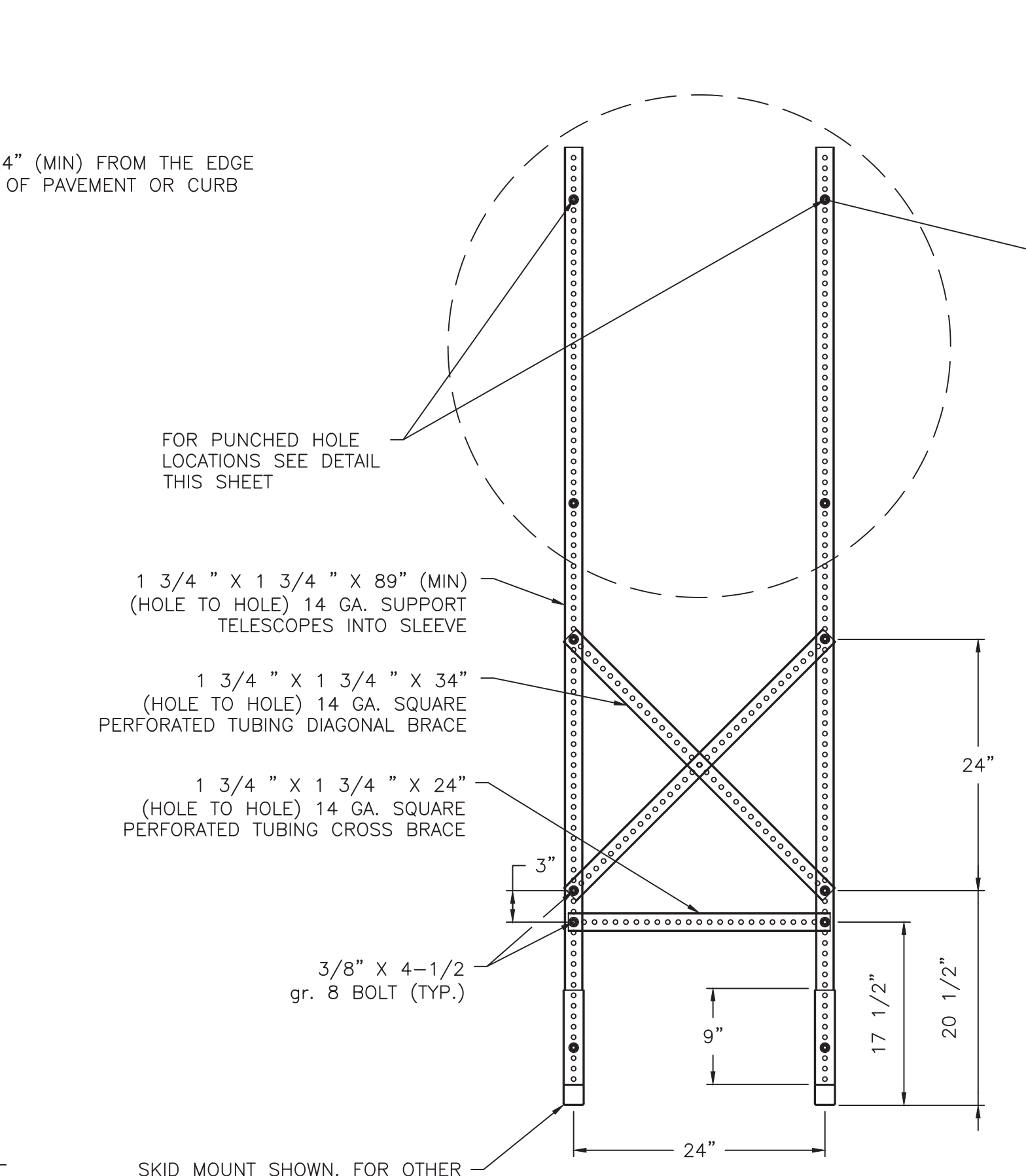


DISCLAIMER: THIS STANDARD IS GOVERNED BY THE TEXAS ENGINEERING PRACTICE ACT. THE DESIGN REQUIREMENTS ON THIS STANDARD DO NOT PURPORT TO ADDRESS ALL OF THE SAFETY CONCERNS ASSOCIATED WITH THEIR USE. THE ENGINEER OF RECORD (EOR) IS TO REVIEW THESE DESIGN REQUIREMENTS AND BY AUTHORIZING THEIR USE, ACCEPTS RESPONSIBILITY FOR THEIR APPLICABILITY, ADEQUACY AND SAFETY. NO WARRANTY OF ANY KIND IS MADE BY THE CITY OF HOUSTON FOR ANY PURPOSES WHATSOEVER. THE CITY OF HOUSTON ASSUMES NO RESPONSIBILITY FOR INCORRECT RESULTS OR DAMAGES RESULTING FROM ITS USE.



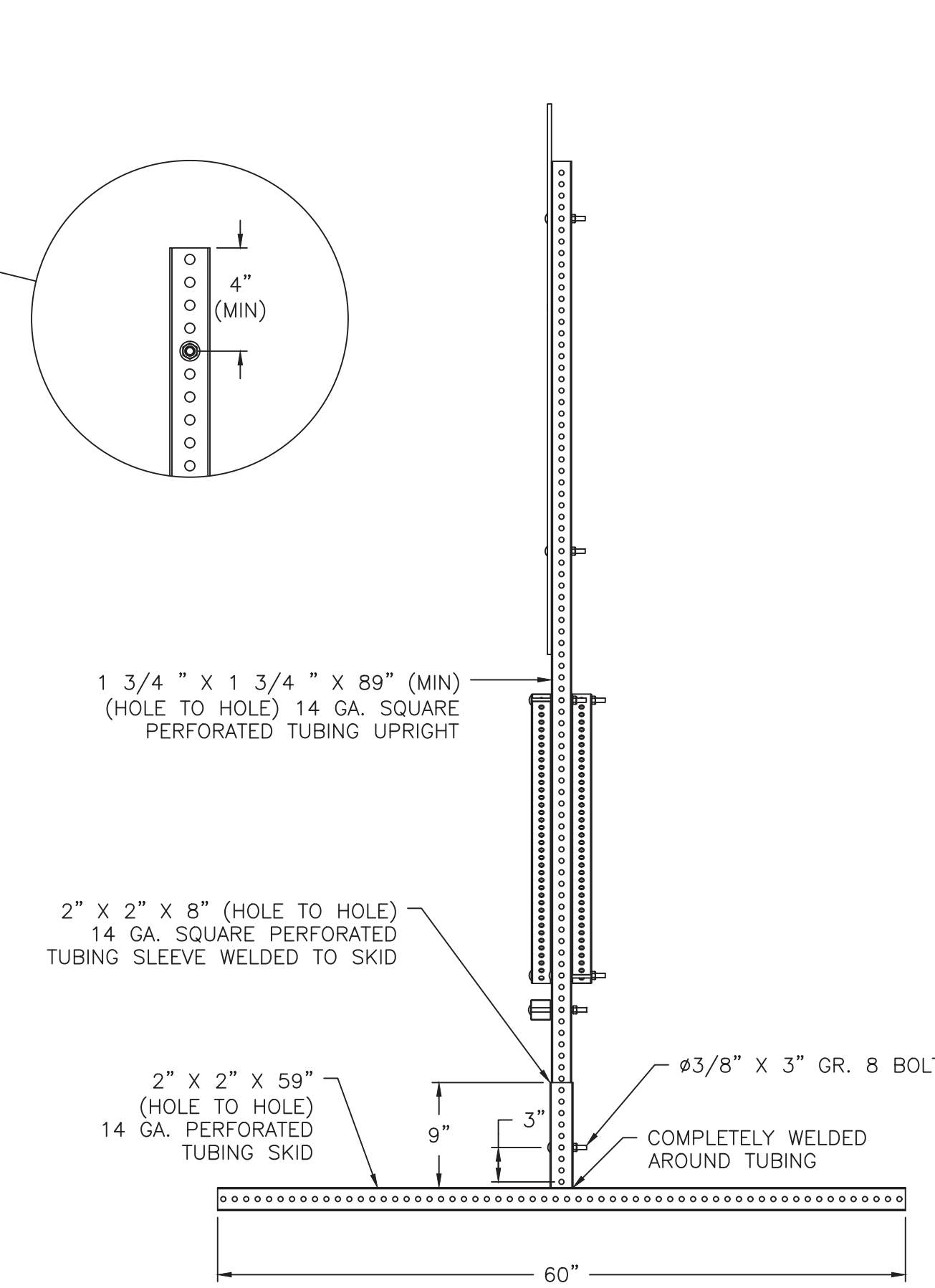
FRONT VIEW

PROJECT SIGN - 48"

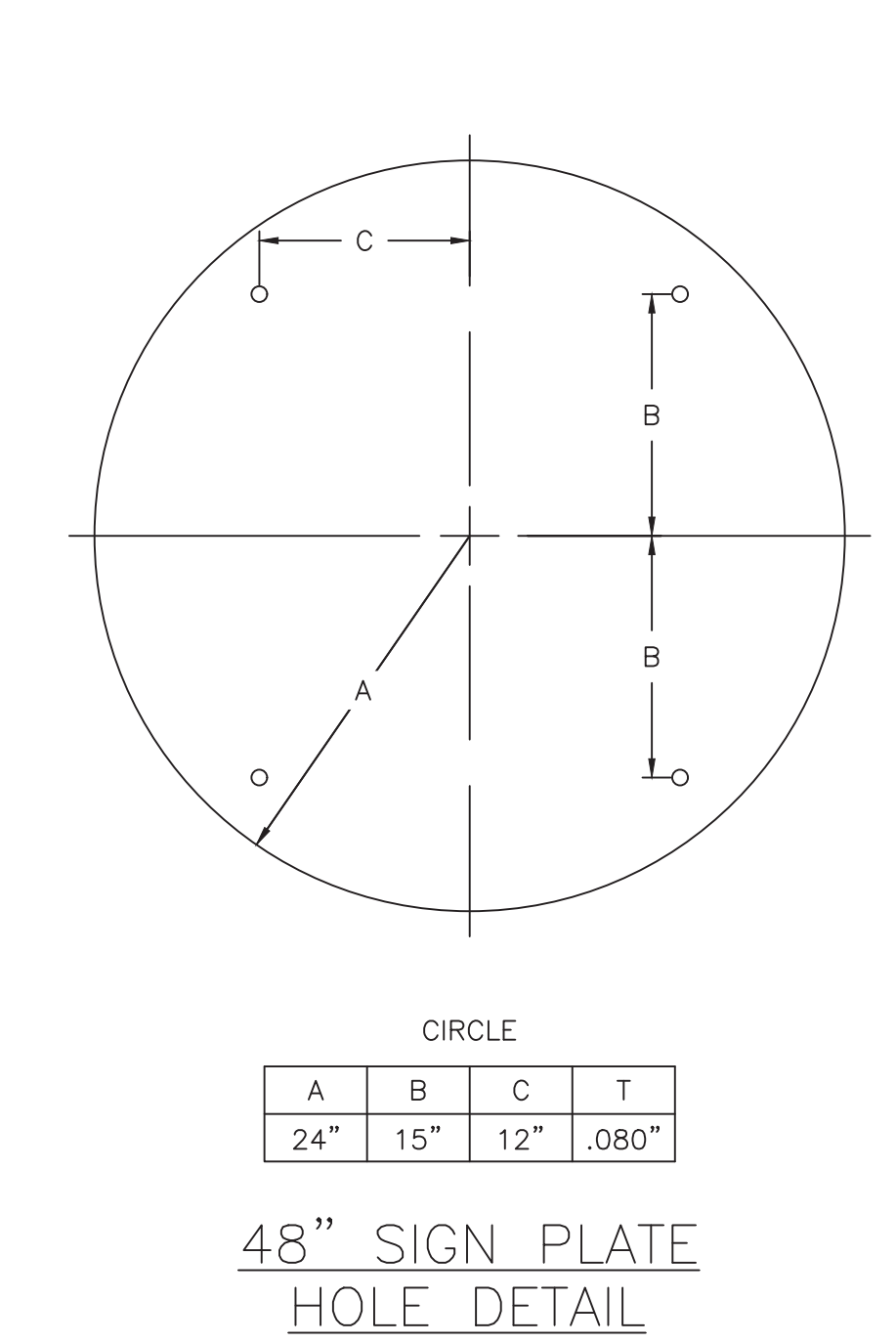


FRONT VIEW

SKID MOUNTED SUPPORTS FOR 48" PROJECT SIGN

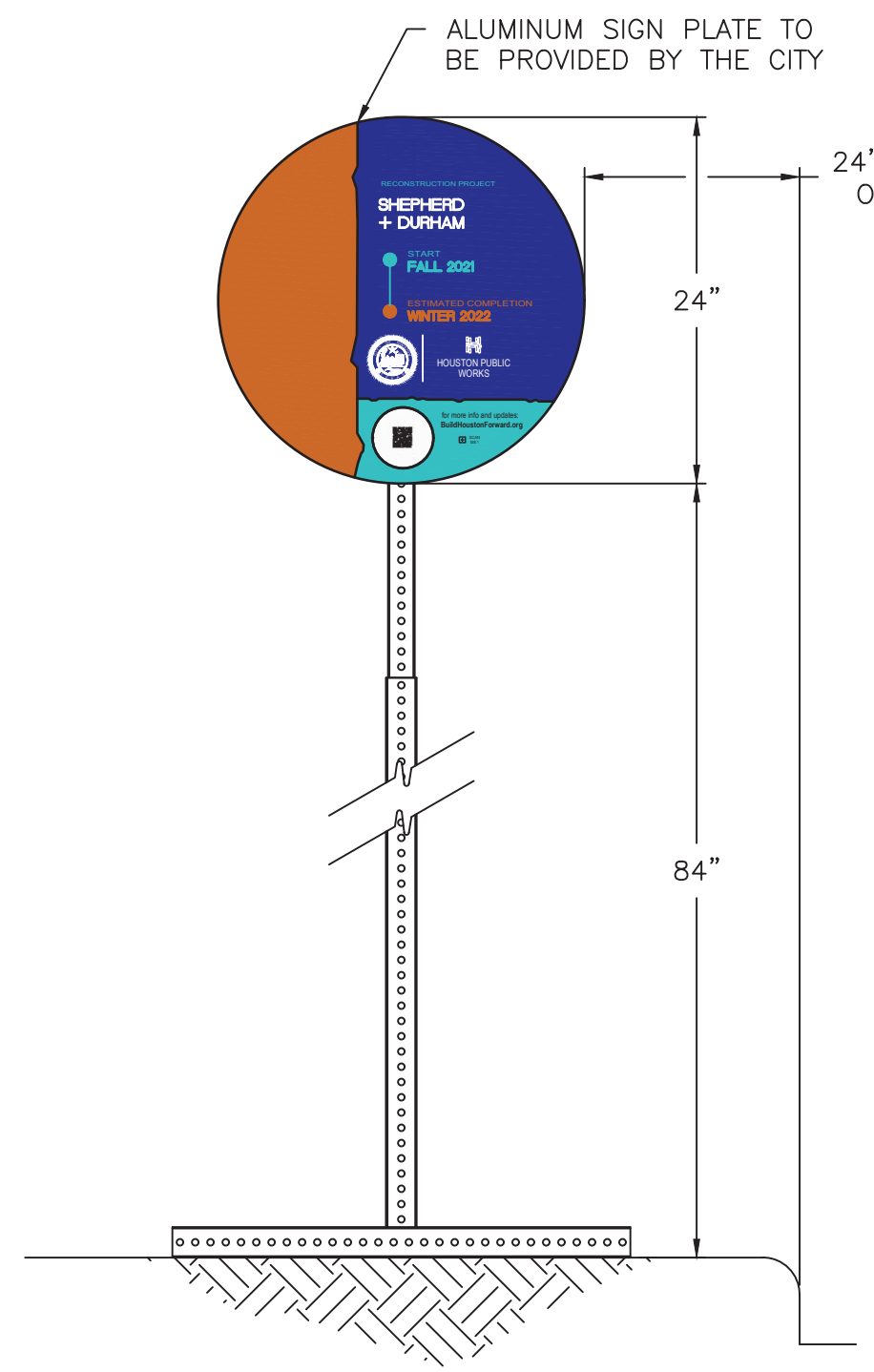


SIDE VIEW



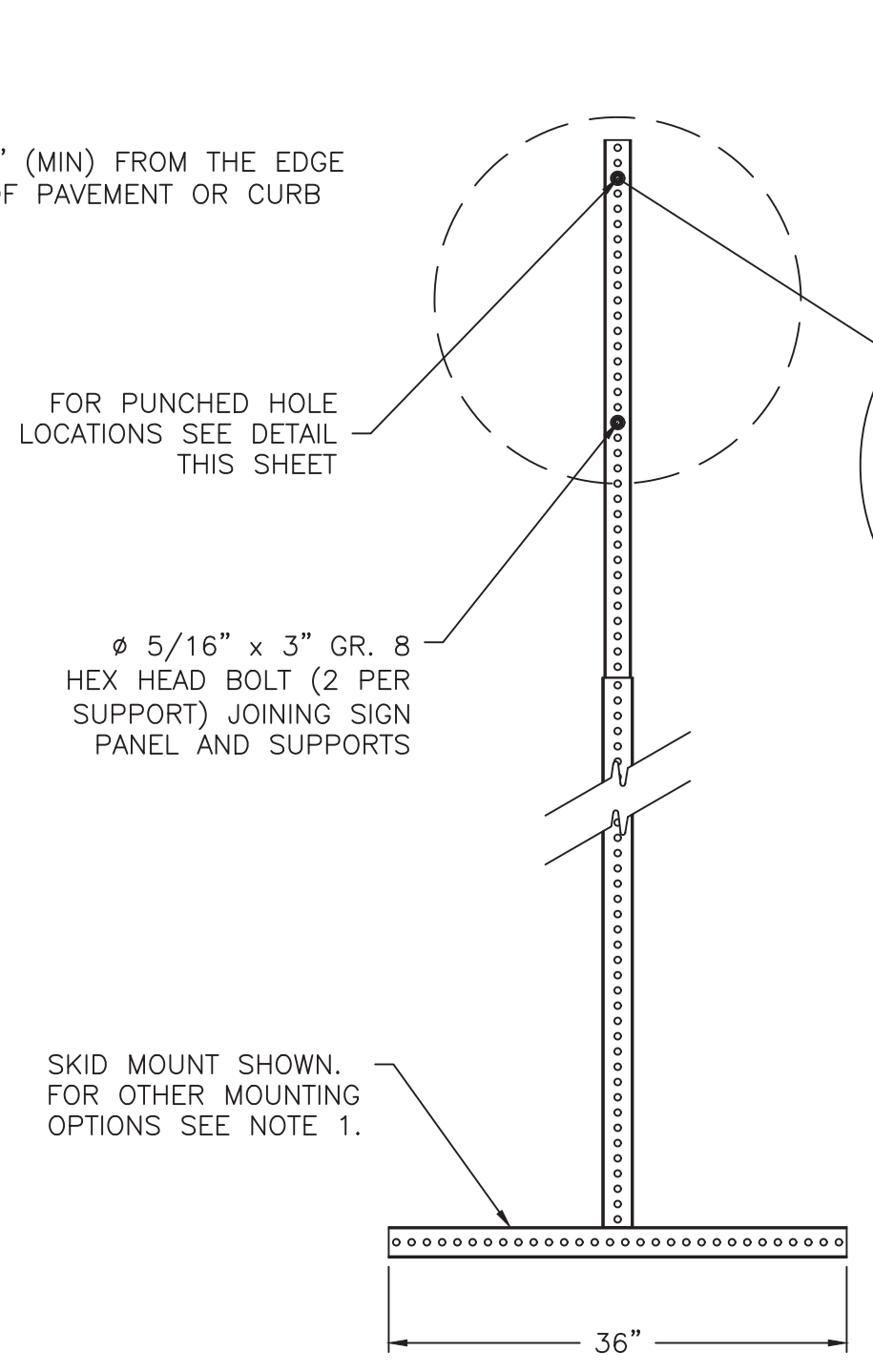
48" SIGN PLATE HOLE DETAIL

- NOTES:
1. ALLOWABLE POST INSTALLATION METHODS ARE: CONCRETE FOOTING, SURFACE MOUNTING, SKID MOUNTING AND PILE DRIVEN POSTS.
  2. FOR POST INSTALLATION WITH CONCRETE FOOTING, SEE DETAIL 1509-01.
  3. FOR SURFACE MOUNTED POST INSTALLATION, SEE DETAIL 01582.
  4. FOR SKID MOUNTING REQUIREMENTS SEE SPECIFICATION 01582.
  5. PILE DRIVEN POSTS MUST BE DRIVEN TO A MINIMUM DEPTH OF 4- FEET INTO EXISTING GROUND.
  6. LAYOUT, TEXT SIZE, AND OVERALL DESIGN OF THE SIGN WILL BE THE RESPONSIBILITY OF THE BUILD HOUSTON COORDINATOR.
  7. ALL SIGN POSTS, SIGN TUBING, AND SIGN FASTENERS SHALL BE GALVANIZED STEEL PER SPECIFICATION 01582.

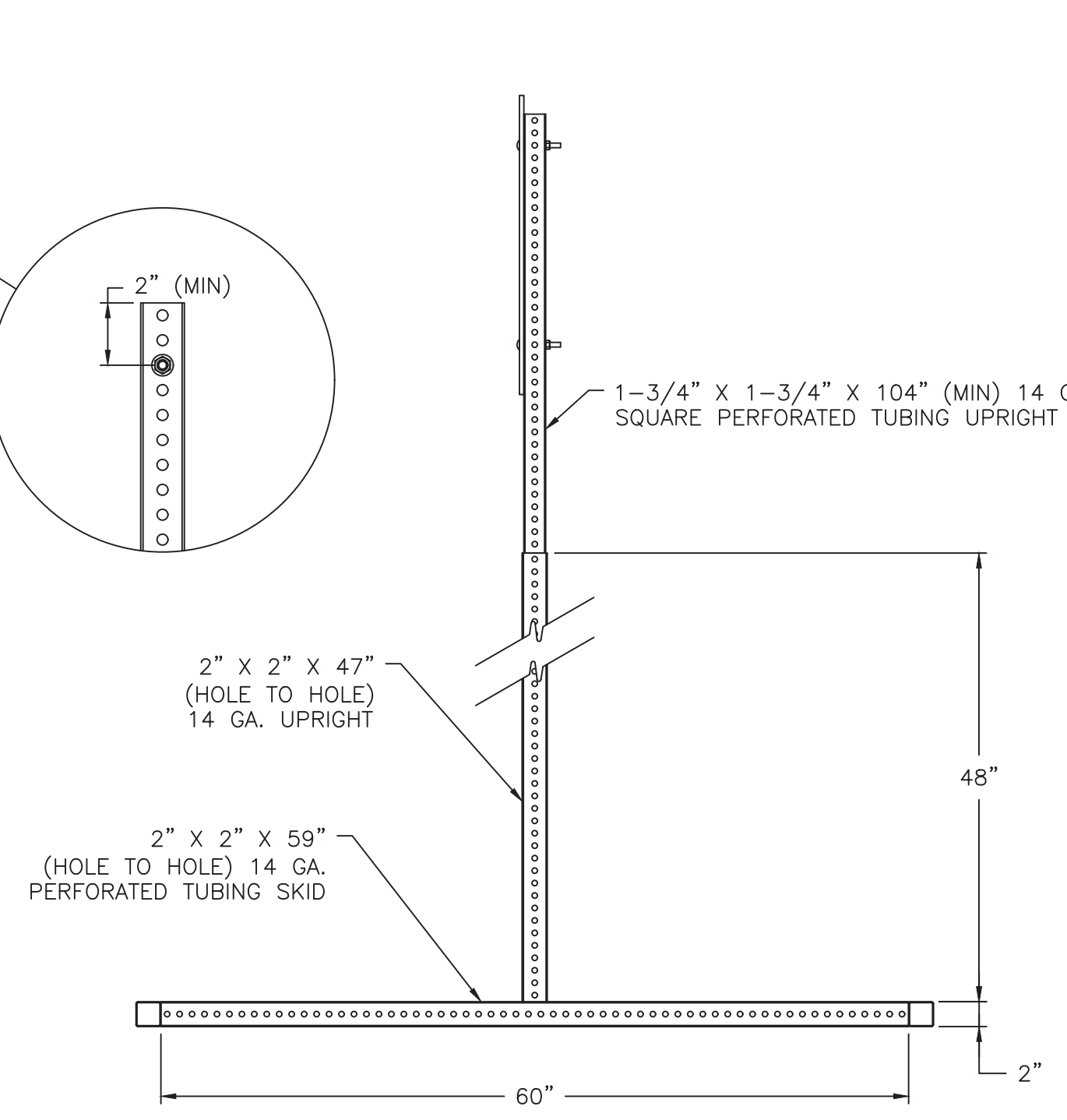


FRONT VIEW

PROJECT SIGN - 24"

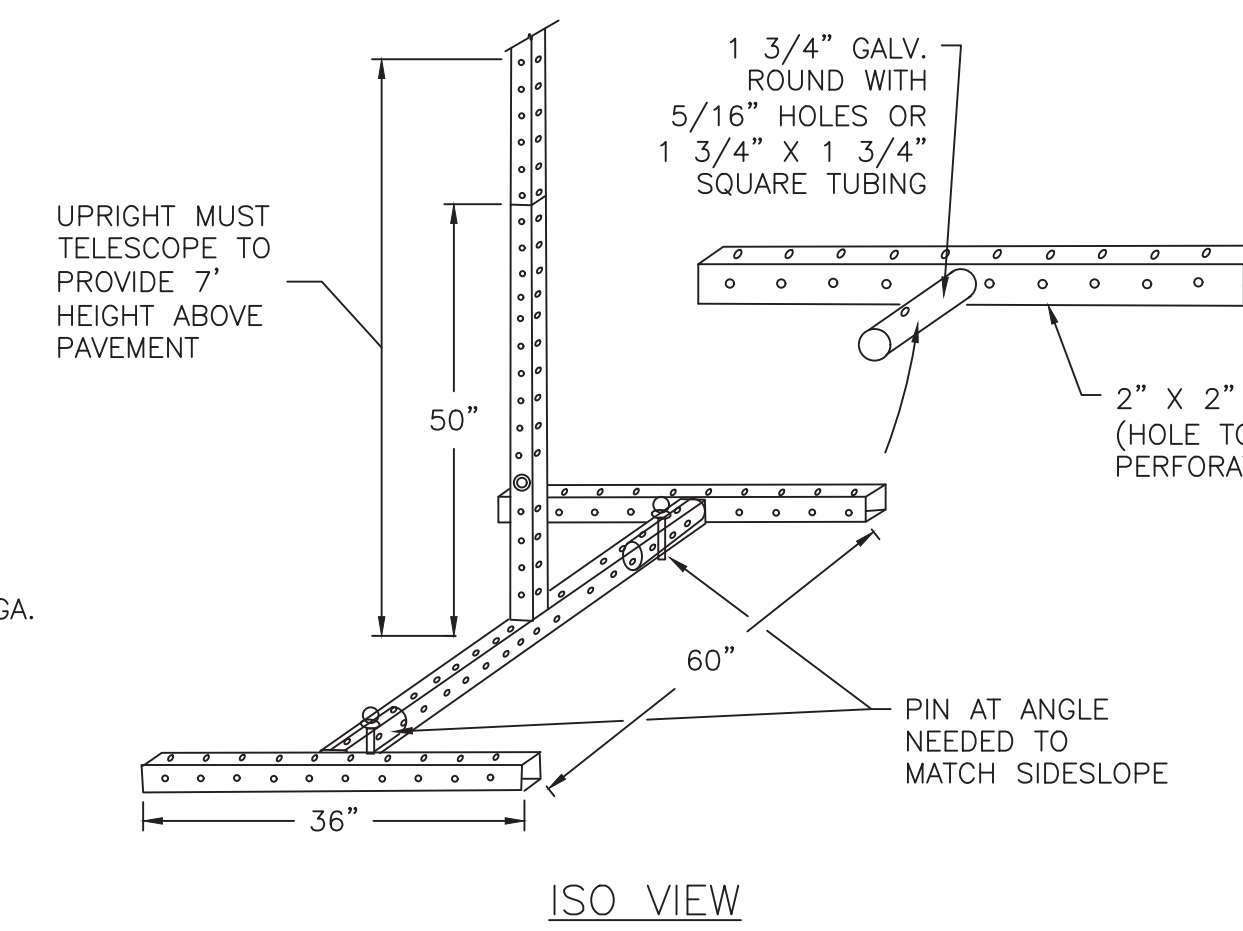


FRONT VIEW

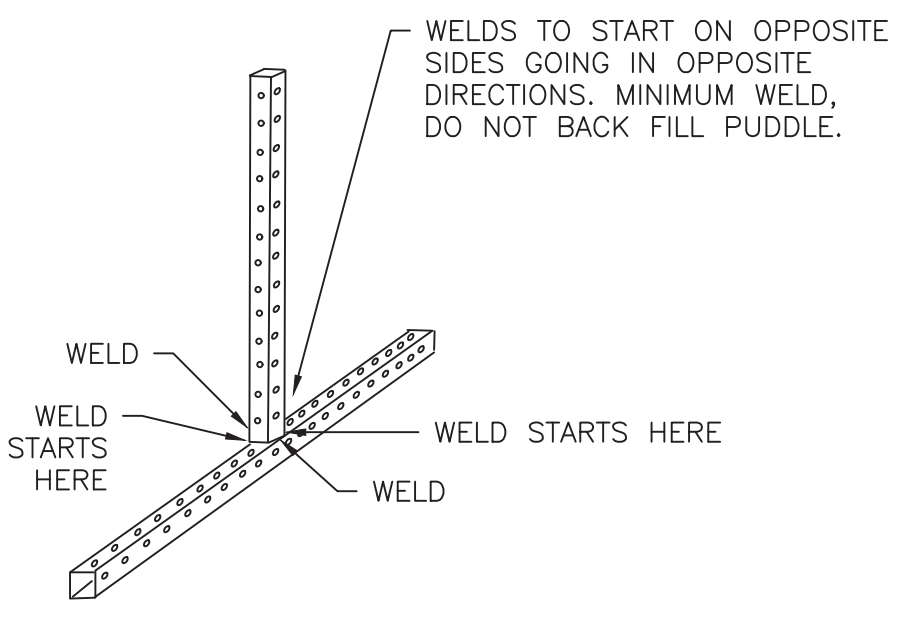


SIDE VIEW

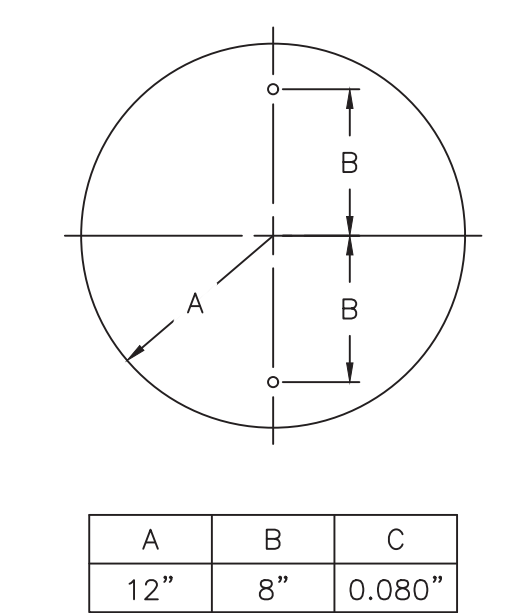
SKID MOUNTED SUPPORTS FOR 24" PROJECT SIGN



ISO VIEW



ISO VIEW



24" SIGN PLATE HOLE DETAIL

APPROVED BY: DocuSigned by: <i>Sulail Kanwar</i> 9EF8B0C641F5478...	APPROVED BY: DocuSigned by: <i>C. E. ...</i> A93C410B72B3453...
CITY ENGINEER	DIRECTOR OF HOUSTON PUBLIC WORKS
EFF DATE: JUL-01-2022	DWG NO: 01582-01

CITY OF HOUSTON  
HOUSTON PUBLIC WORKS

CONSTRUCTION SIGN  
BUILD HOUSTON FORWARD

	FOR CITY OF HOUSTON USE ONLY
DRAWING SCALE	
(NOT TO SCALE)	