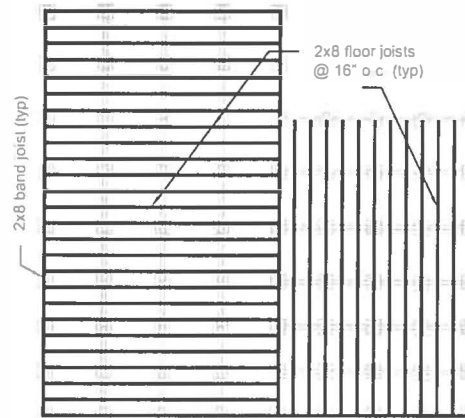
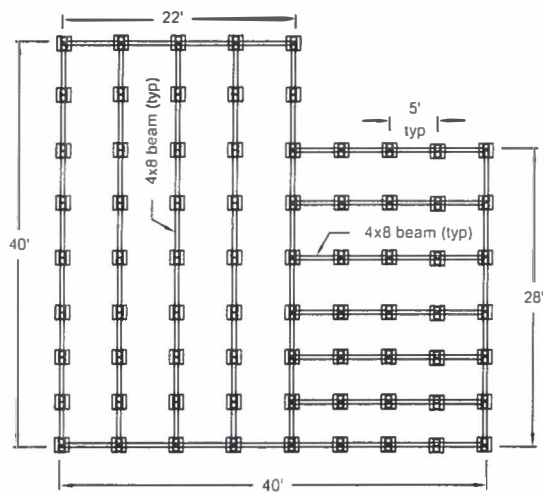


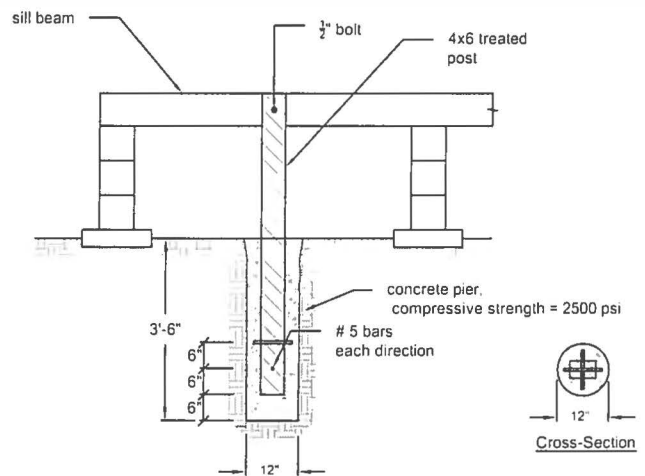
CEILING FRAMING PLAN



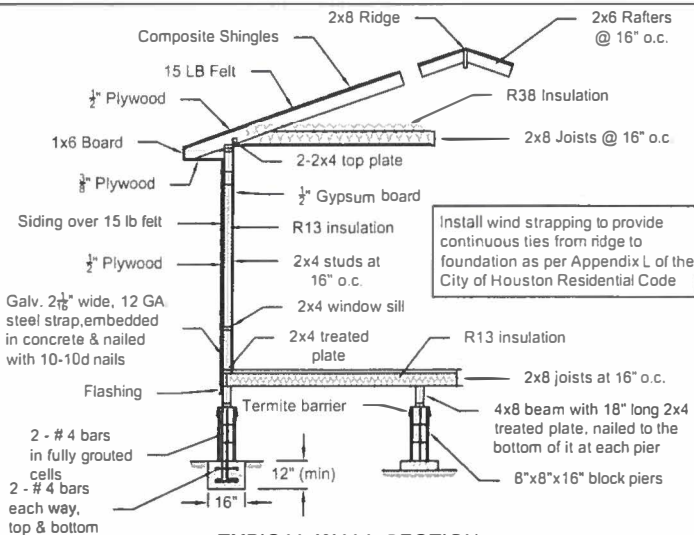
FLOOR FRAMING PLAN



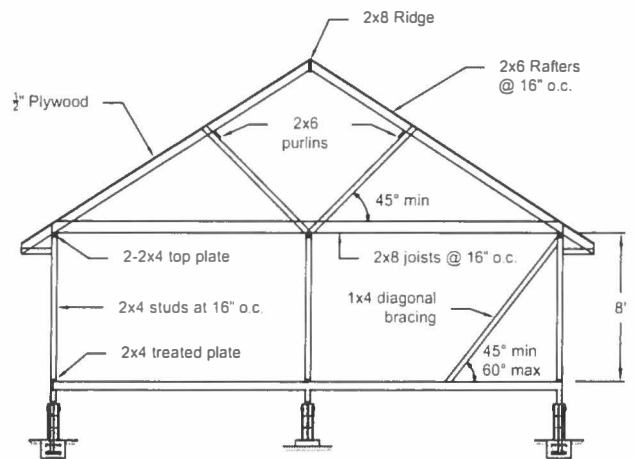
FOUNDATION PLAN



ANCHORING DETAILS



TYPICAL WALL SECTION



FRAMING DETAILS



STANDARD DRAWING

CITY OF HOUSTON
DEPARTMENT OF PUBLIC
WORKS & ENGINEERING

EXAMPLES OF REQUIRED PLANS
(RESIDENTIAL INFORMATION PACKAGE-2)

1002 WASHINGTON AVE., HOUSTON, TEXAS 77002

APPROVED BY: *Earl N. G.*
BUILDING OFFICIAL
DATE: 1/19/2017 DWG No: 17-02-R 1 of 1