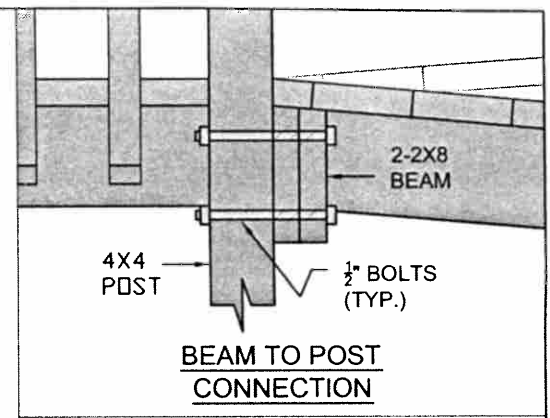
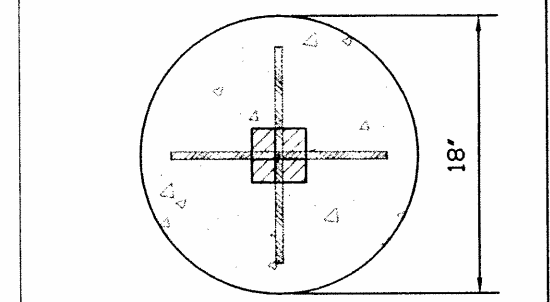


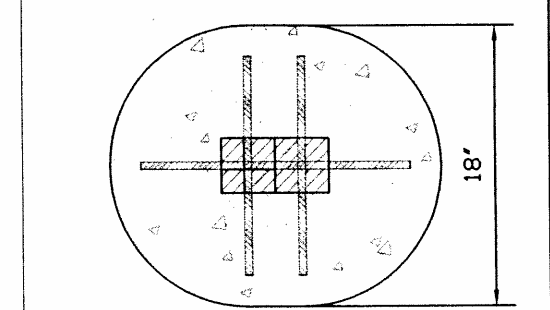
**SECTION**



**BEAM TO POST CONNECTION**



**ONE POST FOOTING SECTION**



**TWO POSTS FOOTING SECTION**

**CITY OF HOUSTON**  
 Department of Public Works and Engineering

**COMMERCIAL RAMP & LANDING**

APPROVED BY: *[Signature]* *[Signature]*  
 BUILDING OFFICIAL CITY ENGINEER