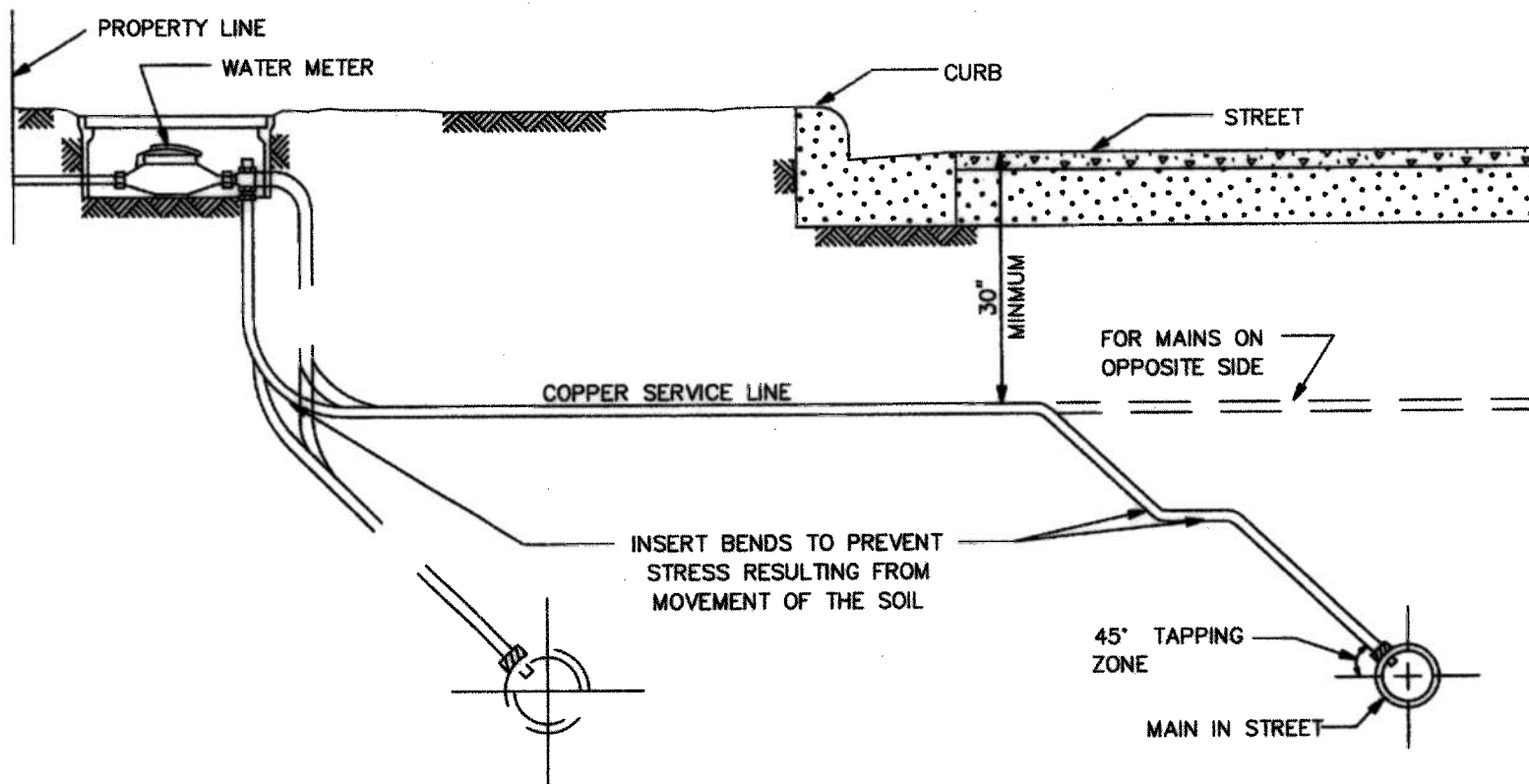
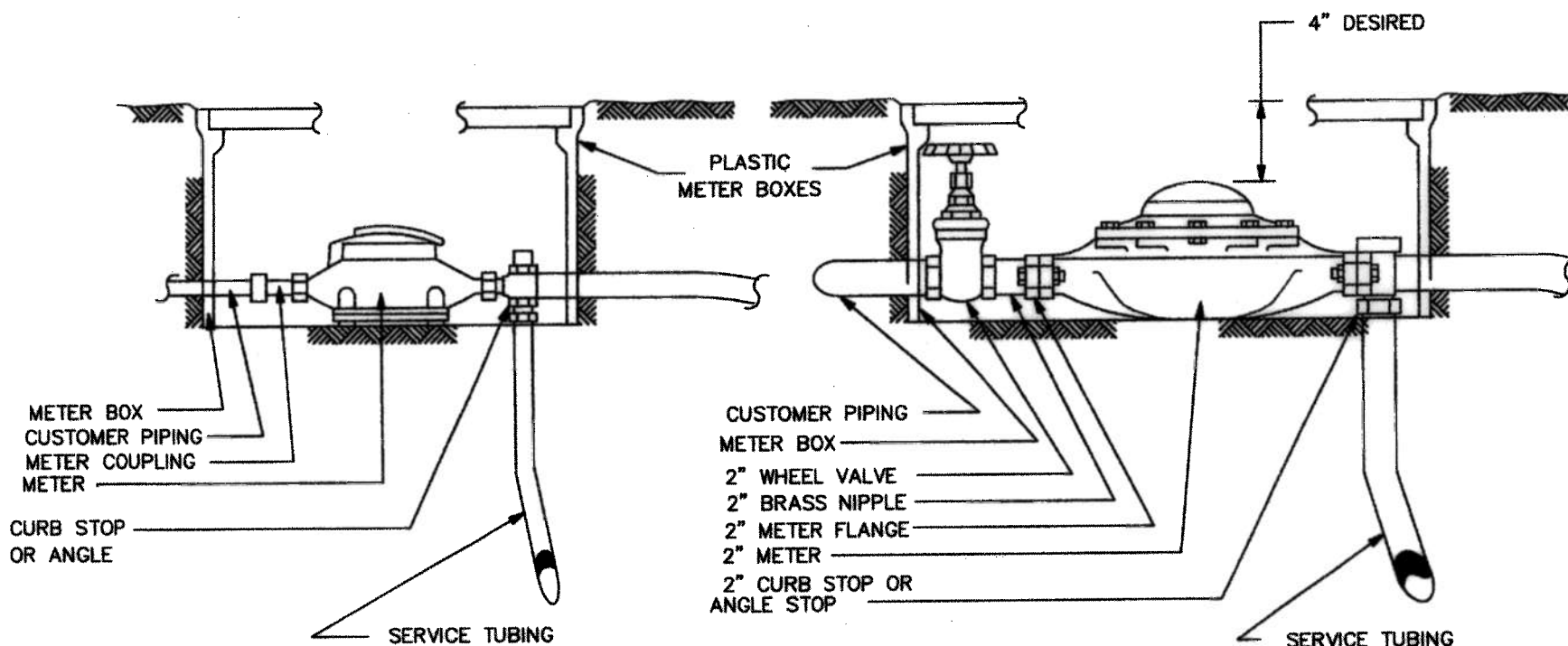


**NOTES:**

1 1/2" METER SET IS SAME AS 2" EXCEPT WHEEL VALVE IS NOT REQUIRED.



TYPICAL SECTION SERVICE LINE



5/8", 3/4" AND 1" METER SET

2" METER SET

**CITY OF HOUSTON**  
DEPARTMENT OF PUBLIC WORKS AND ENGINEERING

**TYPICAL METER SETTINGS**

(NOT TO SCALE)

APPROVED BY: *[Signature]*  
CITY ENGINEER

APPROVED BY: *[Signature]*  
DIRECTOR OF PUBLIC WORKS AND ENGINEERING

EFF DATE: JULY-01-2010 DWG NO: 02526-01