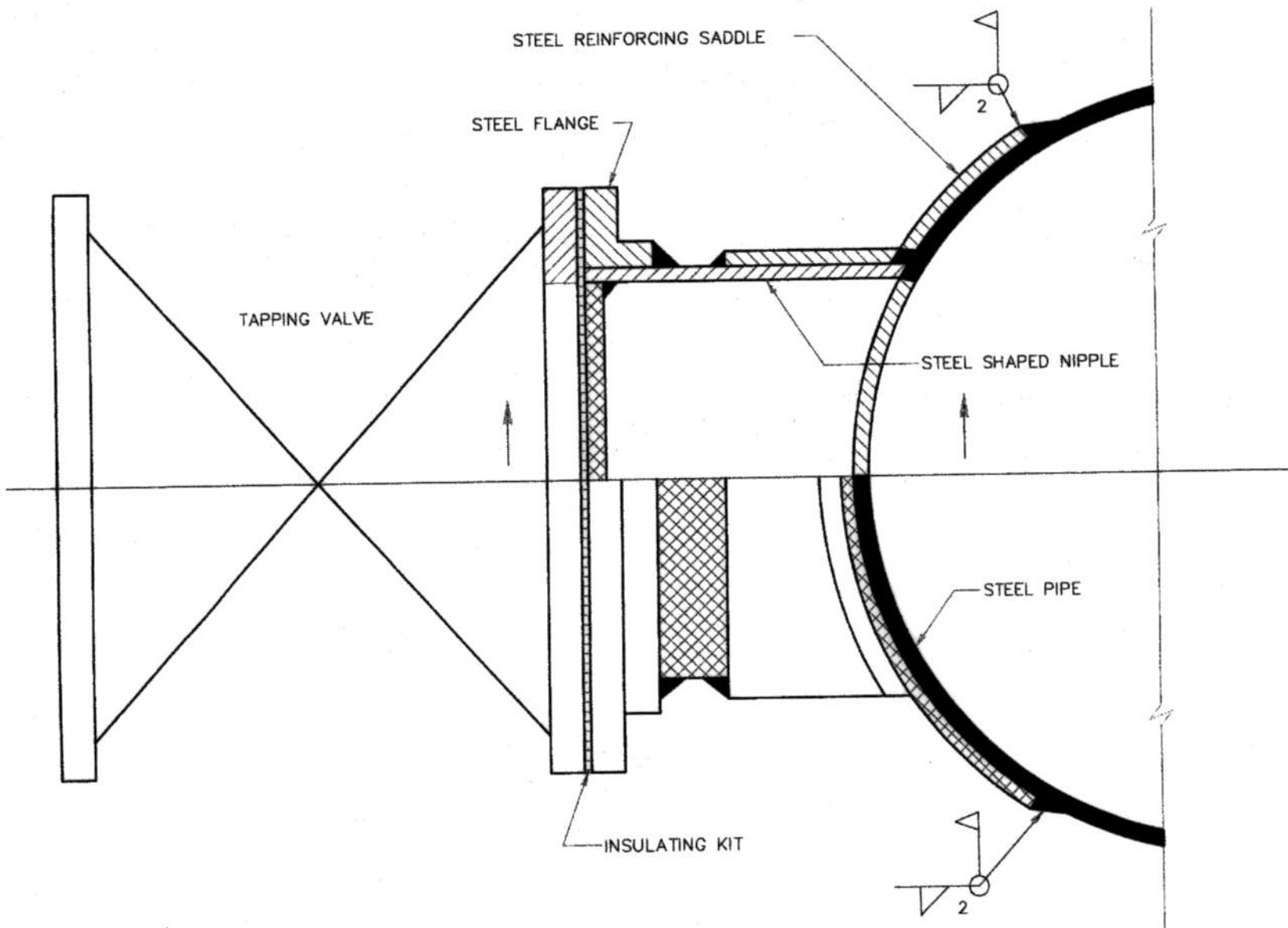


**GENERAL NOTES:**

1. PROVIDE STEEL TAPPING SLEEVE AS PER WATER MAIN SPECIFICATIONS.
2. WELDING SHALL BE AS NOTED IN WELD SYMBOLS.
3. INSULATING KIT IN ACCORDANCE WITH WATER MAIN SPECIFICATIONS.
4. REPAIR COATING AS PER WATER MAIN STANDARD SPECIFICATIONS.



CITY OF HOUSTON  
DEPARTMENT OF PUBLIC WORKS AND ENGINEERING

STANDARD TAP  
TO EXISTING  
STEEL MAIN  
(NOT TO SCALE)

APPROVED BY:  
*[Signature]*  
CITY ENGINEER

APPROVED BY:  
*[Signature]*  
DIRECTOR OF PUBLIC  
WORKS AND ENGINEERING

EFF DATE: JULY-01-2010 DWG NO: 02512-04