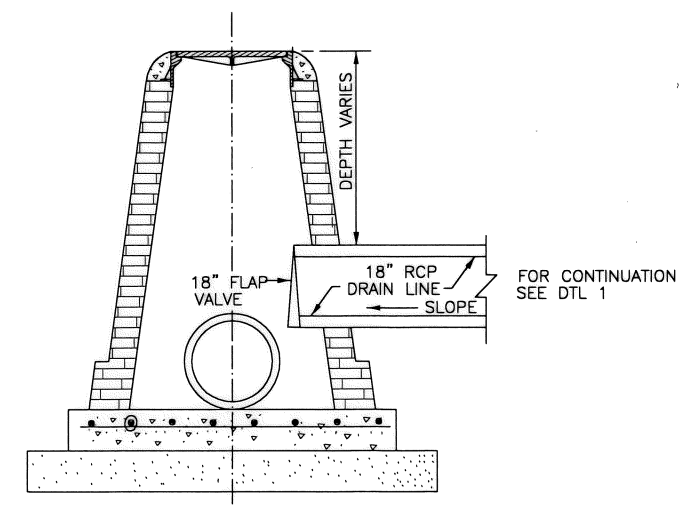
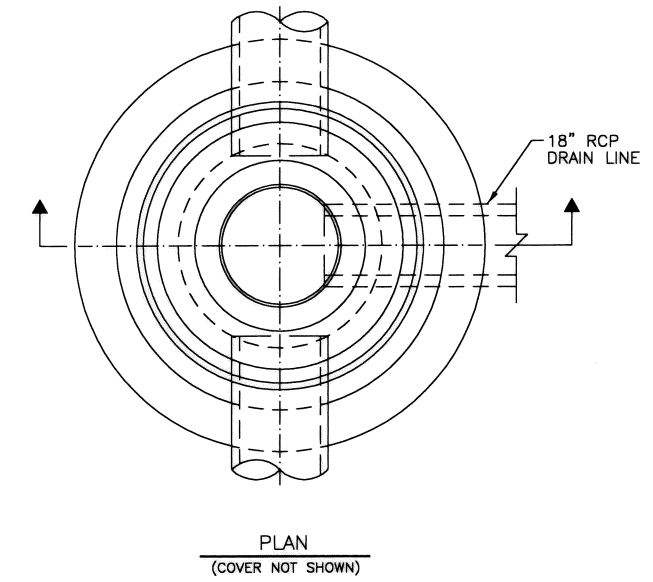


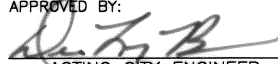

1 SERVICE MANHOLE FOR DRAINLINE VALVE CONNECTION

**NOTES:**

1. PROVIDE RAMNEK OR APPROVED EQUAL BETWEEN PRECAST SEGMENTS OF THE MANHOLE.
2. PLACE MANHOLE ON NEW COMPACTED (95% S. P. D.) BOTTOM IN ACCORDANCE WITH SPECIFICATION 02316.
3. FOR PAVEMENT REPAIR, SEE COH DETAILS 02902-01 & 02902-02.
4. FOR MANHOLES DEEPER THAN 20 FEET, PROVIDE SAFETY CLIMBING RAIL (SAF-T-CLIMB OR EQUAL). SEE COH DETAIL 02082-11.
5. ADJUST MANHOLE AND MANHOLE OPENING TO ALIGN WITH VALVE OPERATOR NUT FOR EASE OF OPERATION.
6. IF PROPOSED STORM SEWER MANHOLE IS CALLED OUT IN PLANS, SEE COH DETAILS 02081-01 OR 02081-02.



2 DRAIN LINE CONNECTION TO EXISTING STORM SEWER MANHOLE

<b>CITY OF HOUSTON</b> HOUSTON PUBLIC WORKS	
<b>STANDARD LDWL</b> <b>DRAIN LINE VALVE DETAILS</b>	
(NOT TO SCALE)	
APPROVED BY:  ACTING CITY ENGINEER	APPROVED BY:  DIRECTOR OF HOUSTON PUBLIC WORKS
EFF DATE: MAR-20-2018	DWG NO: 02511-03