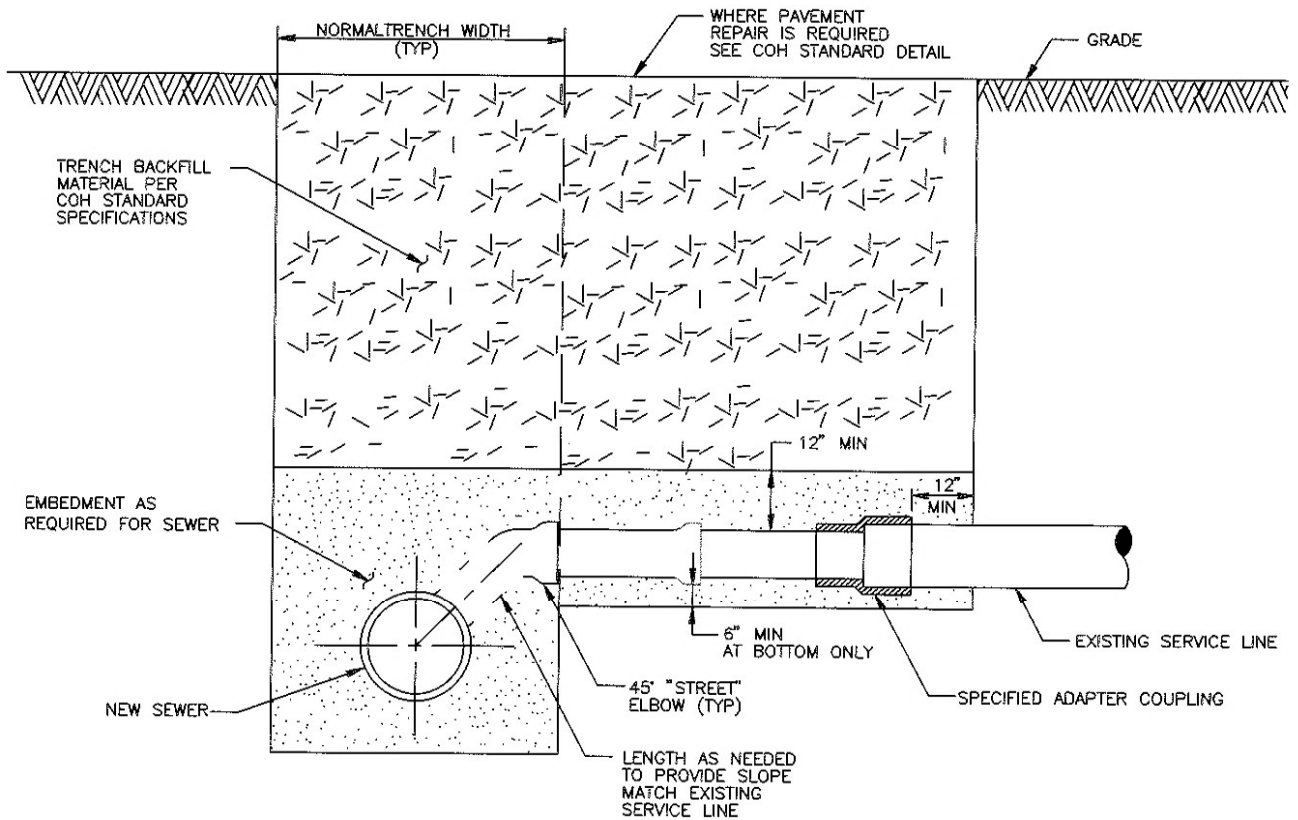
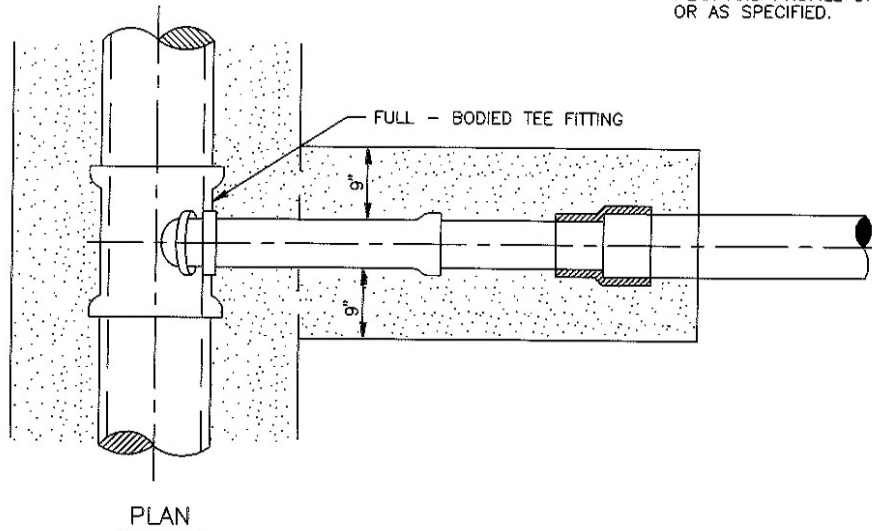


NOTE:

1. REPLACE EXISTING SERVICE LINE TO EXTENT SHOWN ON PLAN AND PROFILE DRAWINGS, OR AS SPECIFIED.



<b>CITY OF HOUSTON</b> DEPARTMENT OF PUBLIC WORKS AND ENGINEERING ENGINEERING, CONSTRUCTION AND REAL ESTATE DIVISION	
SANITARY SEWER SERVICE RECONNECTION ON NEW OR REPLACEMENT SEWER (NOT TO SCALE)	
APPROVED BY: <i>Mandagiri</i> CITY ENGINEER	APPROVED BY:  DIRECTOR OF PUBLIC WORKS AND ENGINEERING
EFF DATE: OCT-01-2002	DWG NO: 02534-04