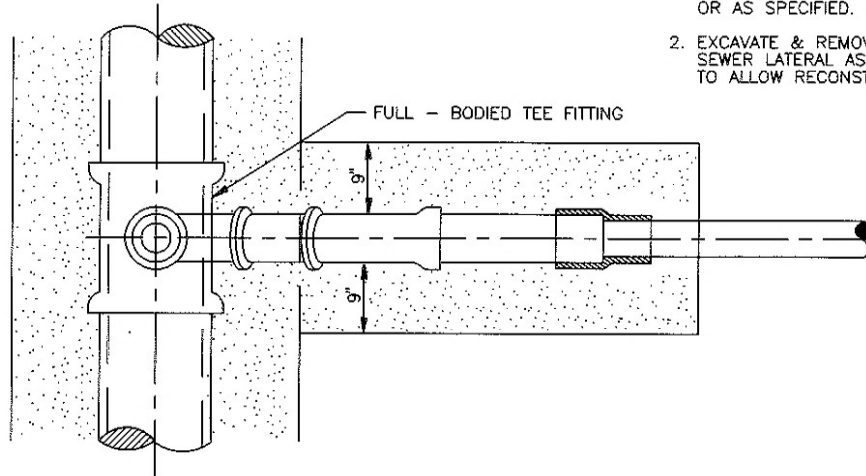
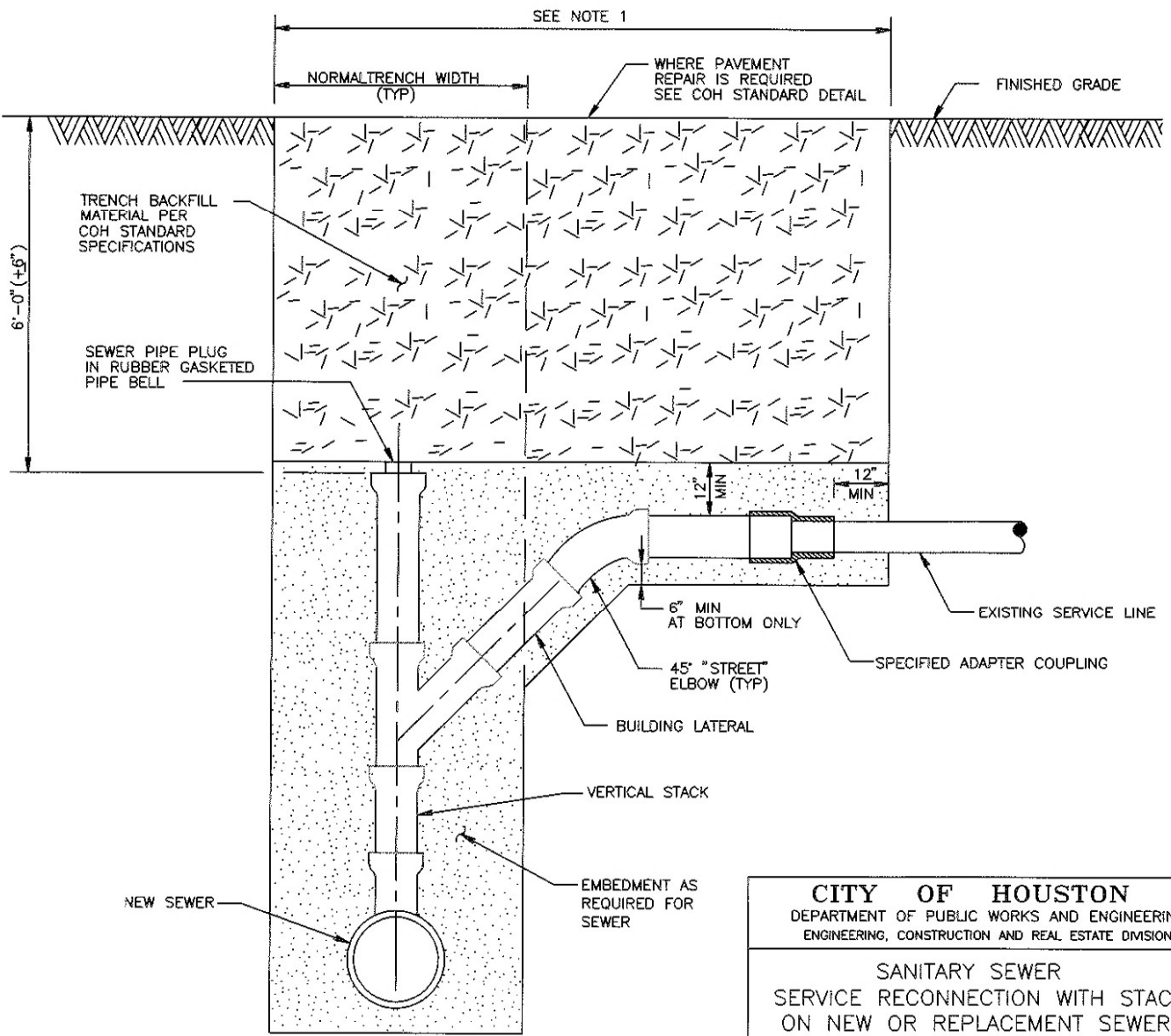


**NOTES:**

1. REPLACE EXISTING SERVICE LINE TO EXTENT SHOWN ON PLAN AND PROFILE DRAWINGS, OR AS SPECIFIED.
2. EXCAVATE & REMOVE EXISTING SEWER LATERAL AS REQUIRED TO ALLOW RECONSTRUCTION.



**PLAN**



**CROSS-SECTION OF SEWER AT SERVICE CONNECTION**

<b>CITY OF HOUSTON</b> DEPARTMENT OF PUBLIC WORKS AND ENGINEERING ENGINEERING, CONSTRUCTION AND REAL ESTATE DIVISION	
<b>SANITARY SEWER</b> <b>SERVICE RECONNECTION WITH STACK</b> <b>ON NEW OR REPLACEMENT SEWER</b> (NOT TO SCALE)	
APPROVED BY: <i>[Signature]</i> CITY ENGINEER	APPROVED BY: <i>[Signature]</i> DIRECTOR OF PUBLIC WORKS AND ENGINEERING
EFF DATE: OCT-01-2002	DWG NO: 02534-02