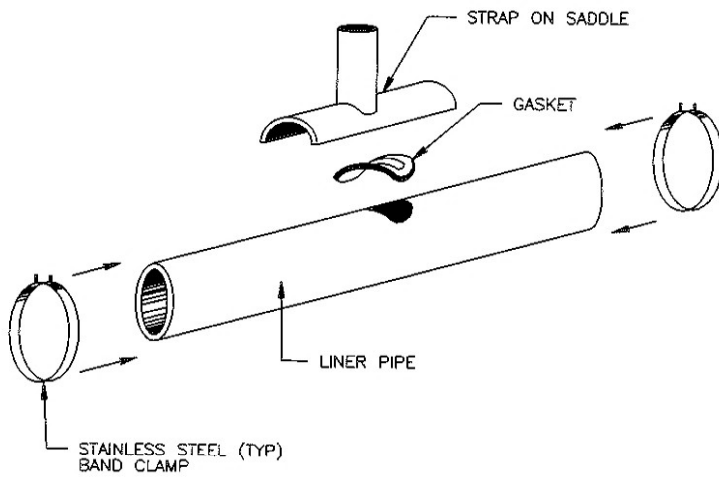

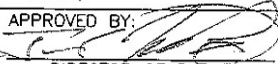


NOTES:

1. THE ENTIRE EXPOSED SERVICE CONNECTION SHALL BE ENCASED IN CEMENT STABILIZED SAND AS SHOWN ABOVE.
2. EXCAVATE ENTIRE EXPOSED SERVICE CONNECTION SHALL BE ENCASED IN CEMENT STABILIZED SAND AS SHOWN ABOVE.



LATERAL STRAP-ON SADDLE

CITY OF HOUSTON DEPARTMENT OF PUBLIC WORKS AND ENGINEERING ENGINEERING, CONSTRUCTION AND REAL ESTATE DIVISION	
SANITARY SEWER SERVICE RECONNECTION FOR LINER PIPE (NOT TO SCALE)	
APPROVED BY:  CITY ENGINEER	APPROVED BY:  DIRECTOR OF PUBLIC WORKS AND ENGINEERING
EFF DATE: OCT-01-2002	DWG NO: 02534-01