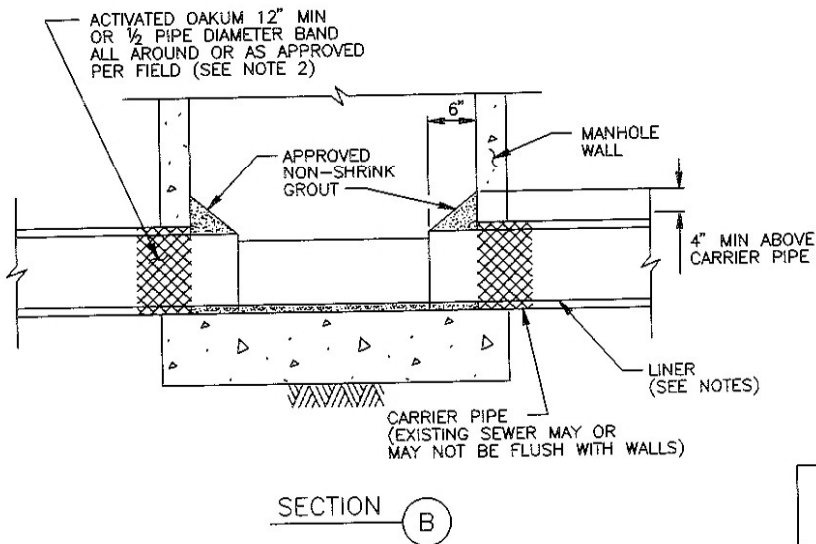
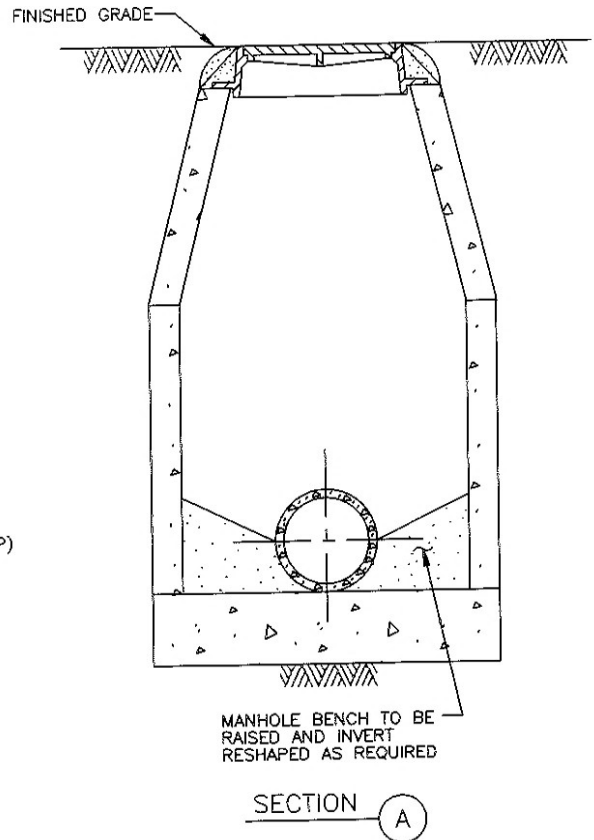
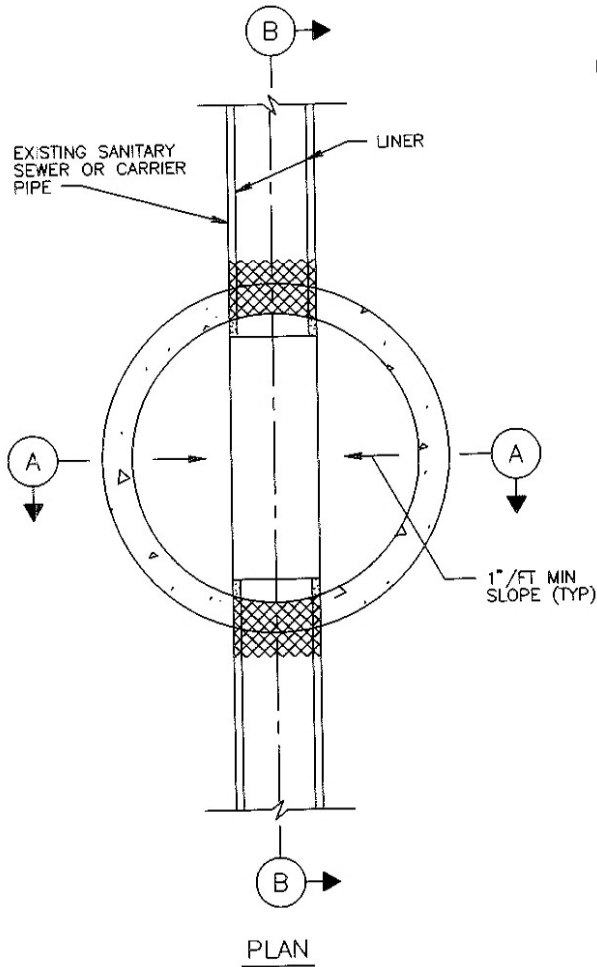


NOTES:

1. ANNULAR SPACE SHALL BE FILLED WITH NON-SHRINK GROUT, MINIMUM 12-INCH OR ONE HALF PIPE DIAMETER OR AS APPROVED BY ENGINEER.



CITY OF HOUSTON DEPARTMENT OF PUBLIC WORKS AND ENGINEERING ENGINEERING, CONSTRUCTION AND REAL ESTATE DIVISION	
SANITARY SEWER SEALING OF SLIPLINING AT MANHOLE (NOT TO SCALE)	
APPROVED BY: <i>Brandolini</i> CITY ENGINEER	APPROVED BY: <i>[Signature]</i> DIRECTOR OF PUBLIC WORKS AND ENGINEERING
EFF DATE: OCT-01-2002 DWG NO: 02531-01	