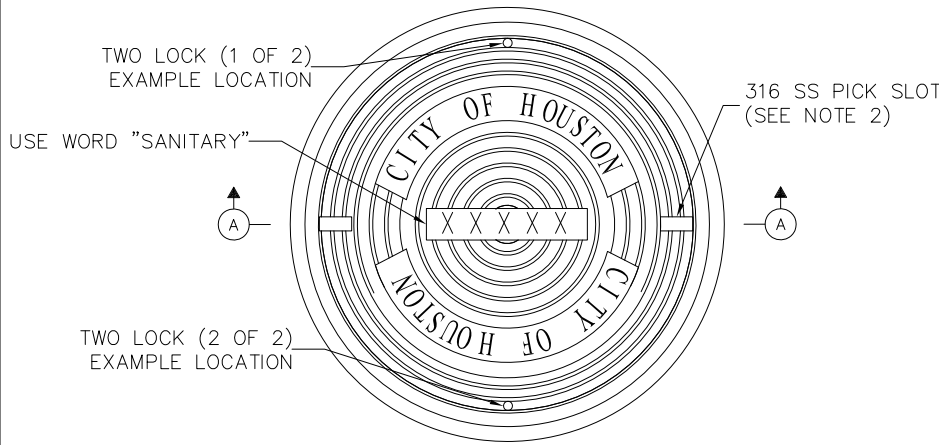
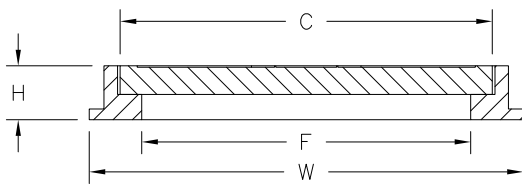
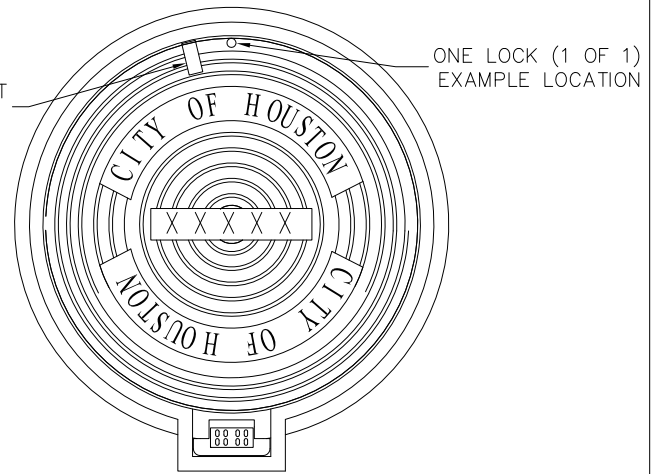


**ASSEMBLY VIEW**

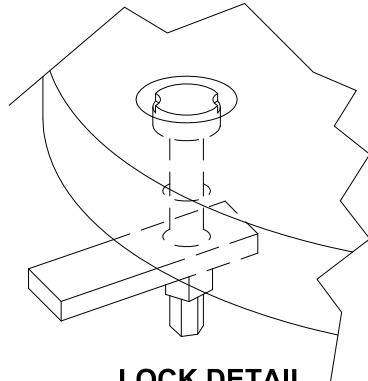


**ASSEMBLY VIEW - W/ HINGE**

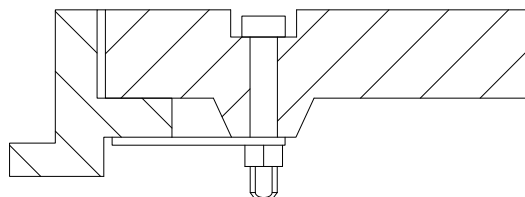


**SECTION A-A**

COVER SIZE	C	F	H	W
	(EXACT)	(EXACT)	(MAX)	(MAX)
24"	23.75	22.00	4.50	35.00
32"	32.00	30.00	5.00	41.00



**LOCK DETAIL**



**LOCK CUT AWAY SECTION DETAIL**

**NOTES:**

1. FRAME AND COVER MEETS OR EXCEEDS REQUIREMENTS FOR CITY OF HOUSTON SPECIFICATION 02091 – NON METALLIC FRAMES, GRATES, RINGS, AND COVERS.
2. COVER SHALL HAVE A MINIMUM OF ONE (1) 316 STAINLESS STEEL PICK BAR SLOT MOLDED IN THE COMPOSITE MATRIX.
3. LOCK AND BOLT SHALL BE 316 STAINLESS STEEL AND BE 1/4" TURN CAM/PADDLE TYPE.
4. MANHOLE DESIGNS WITHOUT HINGES MUST INCLUDE A MINIMUM OF TWO (2) LOCKS LOCATED ON OPPOSITE EDGES. DESIGNS WITH A HINGE MUST INCLUDE A MINIMUM OF ONE (1) LOCK LOCATED OPPOSITE EDGE OF THE HINGE MECHANISM.
5. MANHOLE INSTALLATIONS WITH HINGES SHALL ORIENT HINGES PARALLEL TO TRAFFIC FLOW DIRECTION. THE HINGE WILL BE LOCATED ON THE APPROACHING DIRECTION OF TRAFFIC.

CITY OF HOUSTON DEPARTMENT OF PUBLIC WORKS AND ENGINEERING ENGINEERING, CONSTRUCTION AND REAL ESTATE GROUP	
NON-METALLIC MANHOLE FRAME AND COVER (NOT TO SCALE)	
APPROVED BY: _____ CITY ENGINEER	APPROVED BY: _____ DIRECTOR OF PUBLIC WORKS AND ENGINEERING
EFF DATE: JUN-15-16	DWG NO: 02091-01