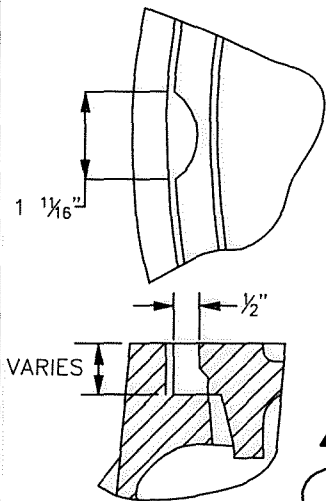


**TYPE 1
OPEN PICK HOLE**



OTHER OPEN PICK HOLES ARE STANDARD ON CERTAIN COVERS.

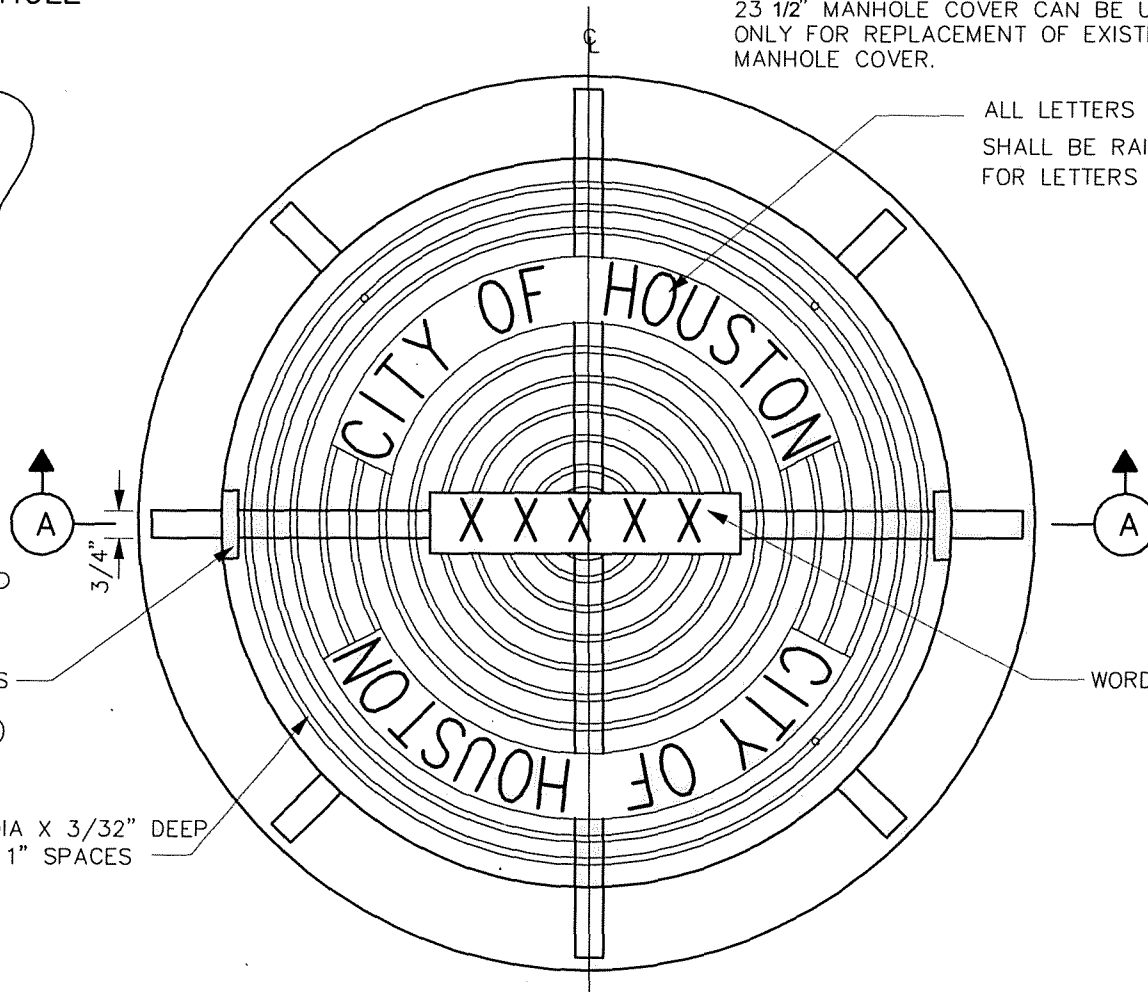
1/2" x 2 1/2" RECESS (SEE SECTION OF COVER THRU RECESS)

GROOVES 3/16" DIA X 3/32" DEEP APPROX 3/4" TO 1" SPACES

NOTE:

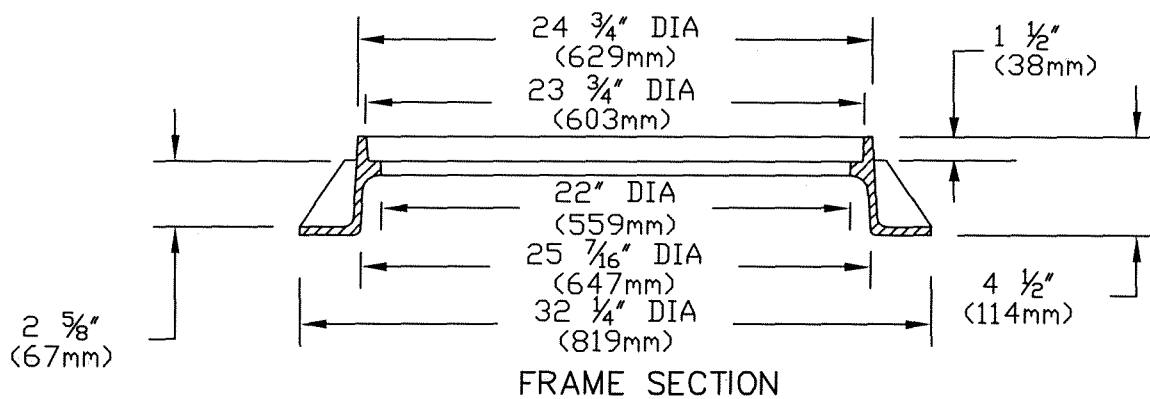
23 1/2" MANHOLE COVER CAN BE USED ONLY FOR REPLACEMENT OF EXISTING MANHOLE COVER.

ALL LETTERS SHALL BE 2" HIGH AND SHALL BE RAISED 1/8" LINE WIDTH FOR LETTERS SHALL BE 1/4" WIDE.

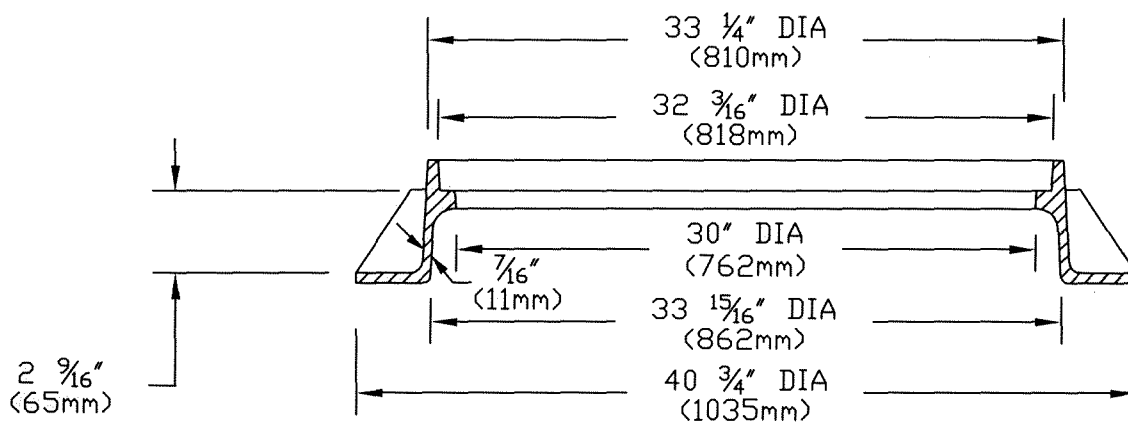


PLAN

23 1/2" MANHOLE COVER WITH FRAME



FRAME SECTION



SECTION A

32" MANHOLE COVER WITH FRAME

1) NOTE: APPROXIMATE WEIGHTS.

FRAME- 170 LBS 77 kg

COVER- 270 LBS 123 kg

UNIT- 440 LBS 200 kg

2) MATERIAL- GRAY IRON ASTM A48 CL35B

3) CASTING TO MEET M306 PROOF LOAD SPECIFICATION

4) MODEL V-14240 ASY OR APPROVED EQUAL

CITY OF HOUSTON
DEPARTMENT OF PUBLIC WORKS AND ENGINEERING

**SANITARY SEWER AND WATER
MANHOLE FRAME AND COVER**

(NOT TO SCALE)

APPROVED BY:

CITY ENGINEER

APPROVED BY:

DIRECTOR OF PUBLIC
WORKS AND ENGINEERING

EFF DATE: JUL-01-2016

DWG NO:

02090-01