

**NOTES:**

1. SEAT MANHOLE FRAME IN SEALANT PER COH STANDARD SPECIFICATION.
2. OMIT CEMENT MORTAR WHEN MANHOLE IS LOCATED IN PAVED AREAS.
3. MANHOLE DROP AND INTERSECTING PIPES SHALL BE INSTALLED ONLY WHEN CALLED FOR IN PLAN AND PROFILE DRAWING.

**NOTES ON USE OF STANDARD DETAIL**

**TABLE "A"**

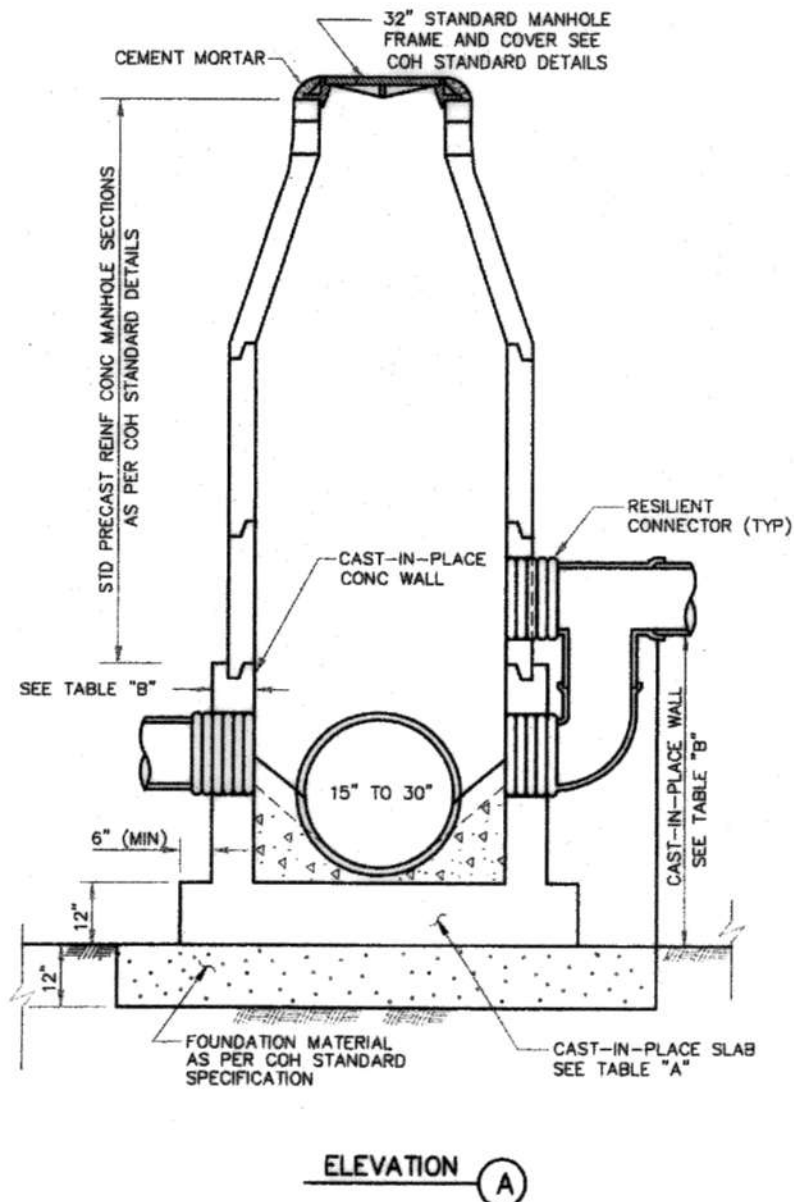
BASE SLAB REINFORCING AND THICKNESS			
MH INSIDE DIA (FT)	DEPTH TO INV (FT)	BASE THICKNESS	REINFORCING (E W, T & B)
8	≤ 20	1'-0"	# 6 @ 10"
	≤ 25	1'-2"	# 6 @ 8"
	≤ 30	1'-4"	# 6 @ 7"
	≤ 40	1'-6"	# 6 @ 6"
	≤ 50	1'-8"	# 6 @ 6"
	≤ 60	1'-10"	# 6 @ 6"
6	≤ 15	1'-0"	# 5 @ 8"
	≤ 20	1'-0"	# 5 @ 8"
	≤ 25	1'-2"	# 5 @ 7"
	≤ 30	1'-2"	# 5 @ 6"
	≤ 40	1'-2"	# 6 @ 8"
	≤ 50	1'-4"	# 6 @ 8"
5	≤ 15	1'-0"	# 5 @ 8"
	≤ 20	1'-0"	# 5 @ 7"
	≤ 25	1'-0"	# 5 @ 6"
	≤ 30	1'-0"	# 6 @ 10"
	≤ 40	1'-2"	# 6 @ 10"
	≤ 50	1'-2"	# 6 @ 9"
4	≤ 20	1'-0"	# 5 @ 8"
	≤ 25	1'-0"	# 5 @ 8"
	≤ 30	1'-0"	# 5 @ 7"
	≤ 40	1'-0"	# 6 @ 10"

**NOTE TO SPECIFIER:**

1. TABLES "A" AND "B" WILL BE USED TO DESIGN THE CAST-IN-PLACE BASE AND WALL FOR VARIOUS MANHOLE DIAMETER AND DEPTH.

**TABLE "B"**

WALL REINFORCING AND THICKNESS					
MH INSIDE DIA (FT)	DEPTH TO PIPE TO INV (FT)	MAXIMUM CAST-IN-PLACE WALL HEIGHT	WALL THICKNESS	REINFORCING AT EACH FACE	
				VERTICAL	HORIZONTAL
8	≤ 20	6'-0"	0'-10"	# 6 @ 12"	# 6 @ 12"
	≤ 25	6'-6"	0'-10"	# 6 @ 10"	
	≤ 30	7'-0"	0'-10"	# 6 @ 8"	
	≤ 40	8'-0"	1'-0"	# 6 @ 8"	
	≤ 50	9'-0"	1'-2"	# 6 @ 6"	
	≤ 60	10'-0"	1'-4"	# 6 @ 6"	
6	≤ 15	5'-0"	0'-8"	# 5 @ 12"	# 5 @ 12"
	≤ 20	5'-6"	0'-8"	# 5 @ 8"	
	≤ 25	6'-0"	0'-9"	# 5 @ 8"	
	≤ 30	6'-0"	0'-9"	# 5 @ 6"	# 5 @ 8"
	≤ 40	7'-0"	0'-10"	# 5 @ 8"	
	≤ 50	7'-0"	1'-0"	# 6 @ 8"	
5	≤ 15	5'-0"	0'-8"	# 5 @ 8"	# 4 @ 12"
	≤ 20	5'-4"	0'-8"	# 5 @ 7"	
	≤ 25	5'-8"	0'-10"	# 5 @ 6"	
	≤ 30	6'-0"	0'-10"	# 6 @ 10"	# 5 @ 12"
	≤ 40	6'-4"	0'-10"	# 6 @ 10"	
	≤ 50	6'-8"	1'-0"	# 6 @ 8"	
4	≤ 20	4'-6"	0'-8"	# 5 @ 12"	# 4 @ 12"
	≤ 25	5'-0"	0'-8"	# 5 @ 10"	
	≤ 30	5'-6"	0'-10"	# 6 @ 12"	
	≤ 40	6'-0"	0'-10"	# 6 @ 12"	



CITY OF HOUSTON  
 DEPARTMENT OF PUBLIC WORKS AND ENGINEERING

**SANITARY SEWER  
 PRECAST CONCRETE MANHOLE  
 WITH CAST-IN-PLACE BASE**  
 (NOT TO SCALE)

APPROVED BY: *[Signature]*  
 CITY ENGINEER

DIRECTOR OF PUBLIC WORKS AND ENGINEERING

EFF DATE: JULY-01-2010 DWG NO: 02082-08