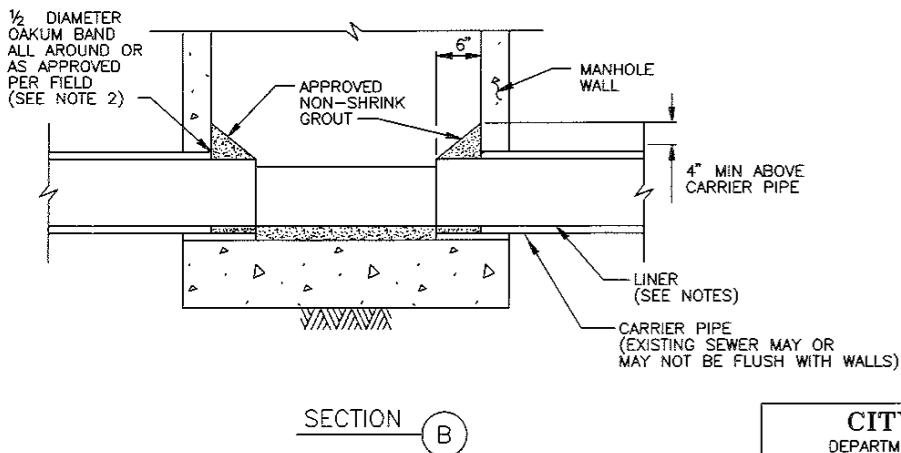
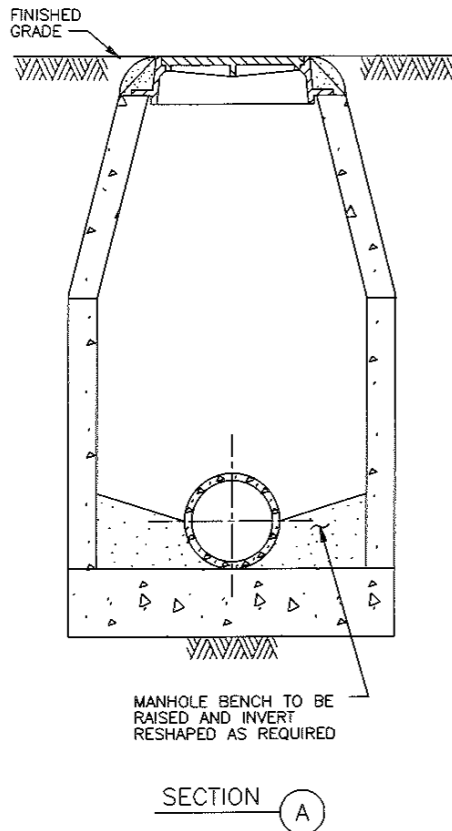
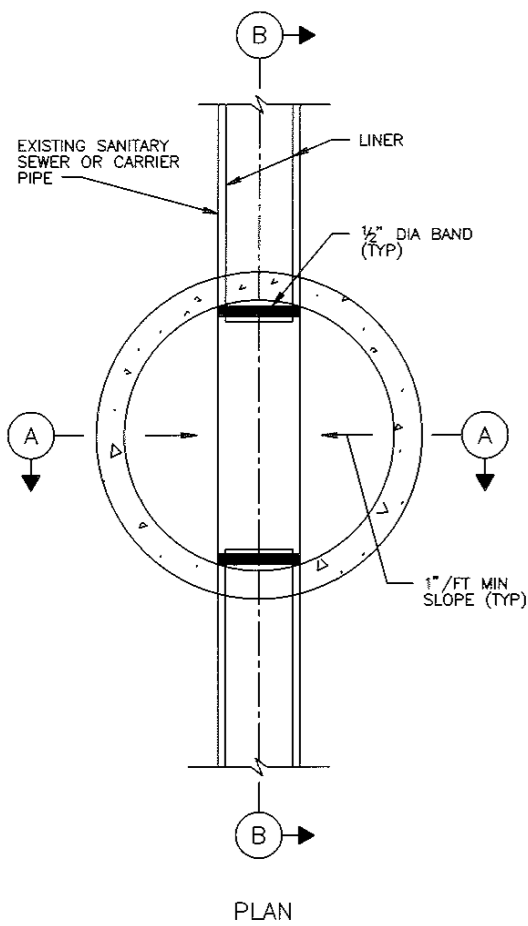

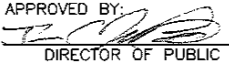


NOTES:

1. ALL LINER SHALL TIGHTLY FIT INSIDE THE EXISTING PIPE. ANNULAR SPACE, IF ANY, SHALL BE FILLED WITH NON-SHRINK GROUT, MINIMUM 12-INCH OR ONE-HALF PIPE DIAMETER.



CITY OF HOUSTON DEPARTMENT OF PUBLIC WORKS AND ENGINEERING ENGINEERING, CONSTRUCTION AND REAL ESTATE DIVISION	
SANITARY SEWER SEALING OF CURED-IN-PLACE LINER AT MANHOLE (NOT TO SCALE)	
APPROVED BY:  CITY ENGINEER	APPROVED BY:  DIRECTOR OF PUBLIC WORKS AND ENGINEERING
EFF DATE: OCT-01-2002	DWG NO: 02531-02