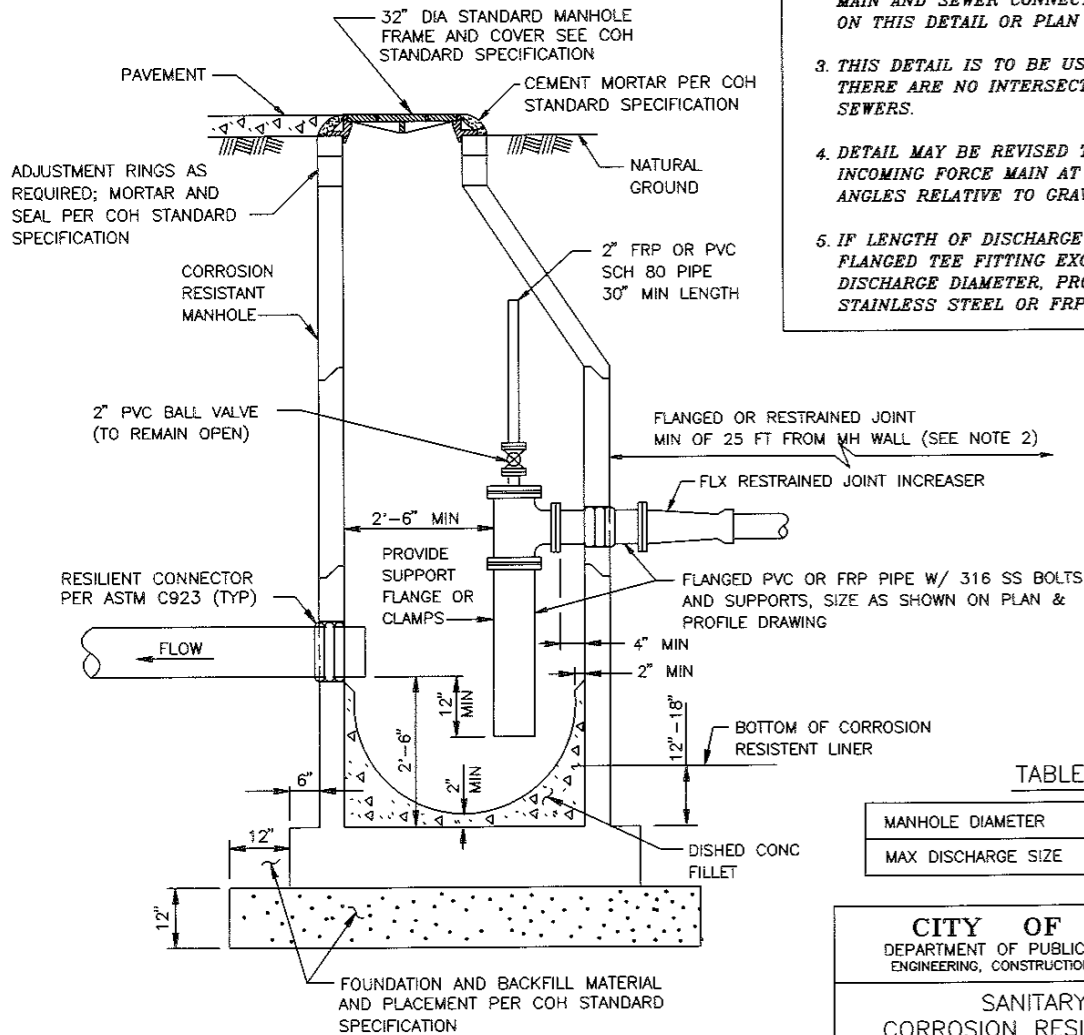


PLAN VIEW



ELEVATION VIEW

NOTES:

1. SEAT MANHOLE FRAME IN SEALANT PER COH STANDARD SPECIFICATION.
2. IF FORCE MAIN HAS BENDS WITHIN 25 FT OF MANHOLE, EXTEND RESTRAINED JOINTS TO 25 FT MINIMUM UPSTREAM OF BEND.
3. OMIT CEMENT MORTAR WHEN MANHOLE IS LOCATED IN PAVED AREA.
4. MINIMUM REINFORCING IN BASE SHALL BE 5 @ 8 E W.
5. PRECAST RINGS SHALL BE PROVIDED FOR A COMBINED ADJUSTMENT HEIGHT OF AT LEAST 12". THE TOTAL HEIGHT OF THE ADJUSTMENT RINGS SHALL NOT EXCEED 1'-6".

NOTES TO SPECIFIER:

1. INDICATE SIZE OF FORCE MAIN, INCREASER AND DISCHARGE EITHER ON THIS DETAIL OR ON PLAN AND PROFILE.
2. PROVIDE INVERT ELEVATIONS OR FORCE MAIN AND SEWER CONNECTIONS TO MH, ON THIS DETAIL OR PLAN AND PROFILE.
3. THIS DETAIL IS TO BE USED ONLY WHEN THERE ARE NO INTERSECTING GRAVITY SEWERS.
4. DETAIL MAY BE REVISED TO ORIENT INCOMING FORCE MAIN AT OTHER ANGLES RELATIVE TO GRAVITY SEWER.
5. IF LENGTH OF DISCHARGE DROP BELOW FLANGED TEE FITTING EXCEEDS 7 TIMES DISCHARGE DIAMETER, PROVIDE STAINLESS STEEL OR FRP PIPE SUPPORT.

TABLE 02082-07

MANHOLE DIAMETER	4'-0"	5'-0"	6'-0"
MAX DISCHARGE SIZE	6"	14"	24"

**CITY OF HOUSTON**  
DEPARTMENT OF PUBLIC WORKS AND ENGINEERING  
ENGINEERING, CONSTRUCTION AND REAL ESTATE DIVISION

**SANITARY SEWER  
CORROSION RESISTANT MANHOLE  
FOR FORCE MAIN DISCHARGE**  
(NOT TO SCALE)

APPROVED BY: <i>[Signature]</i> CITY ENGINEER	APPROVED BY: <i>[Signature]</i> DIRECTOR OF PUBLIC WORKS AND ENGINEERING
EFF DATE: OCT-01-2002	DWG NO: 02082-07