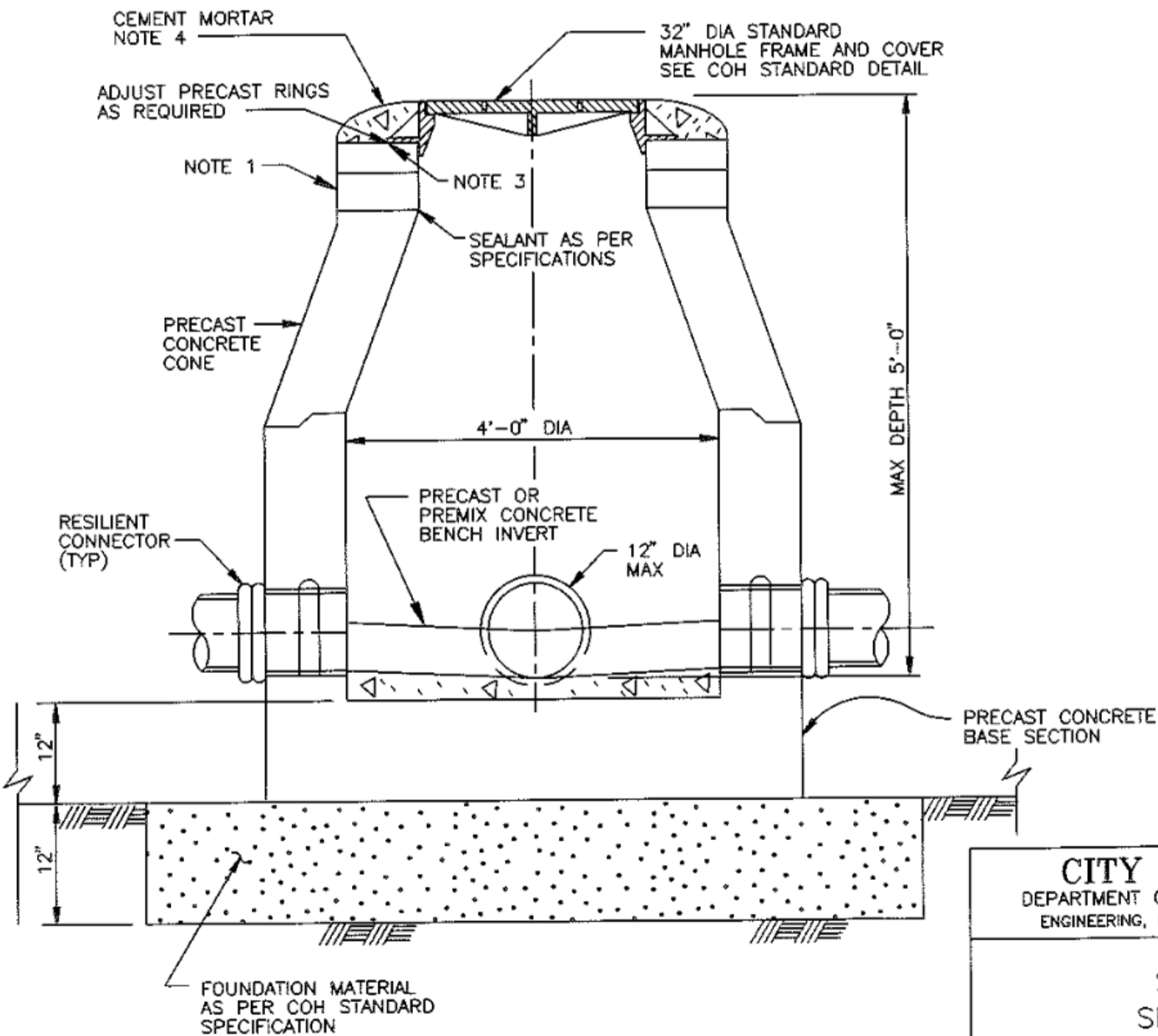
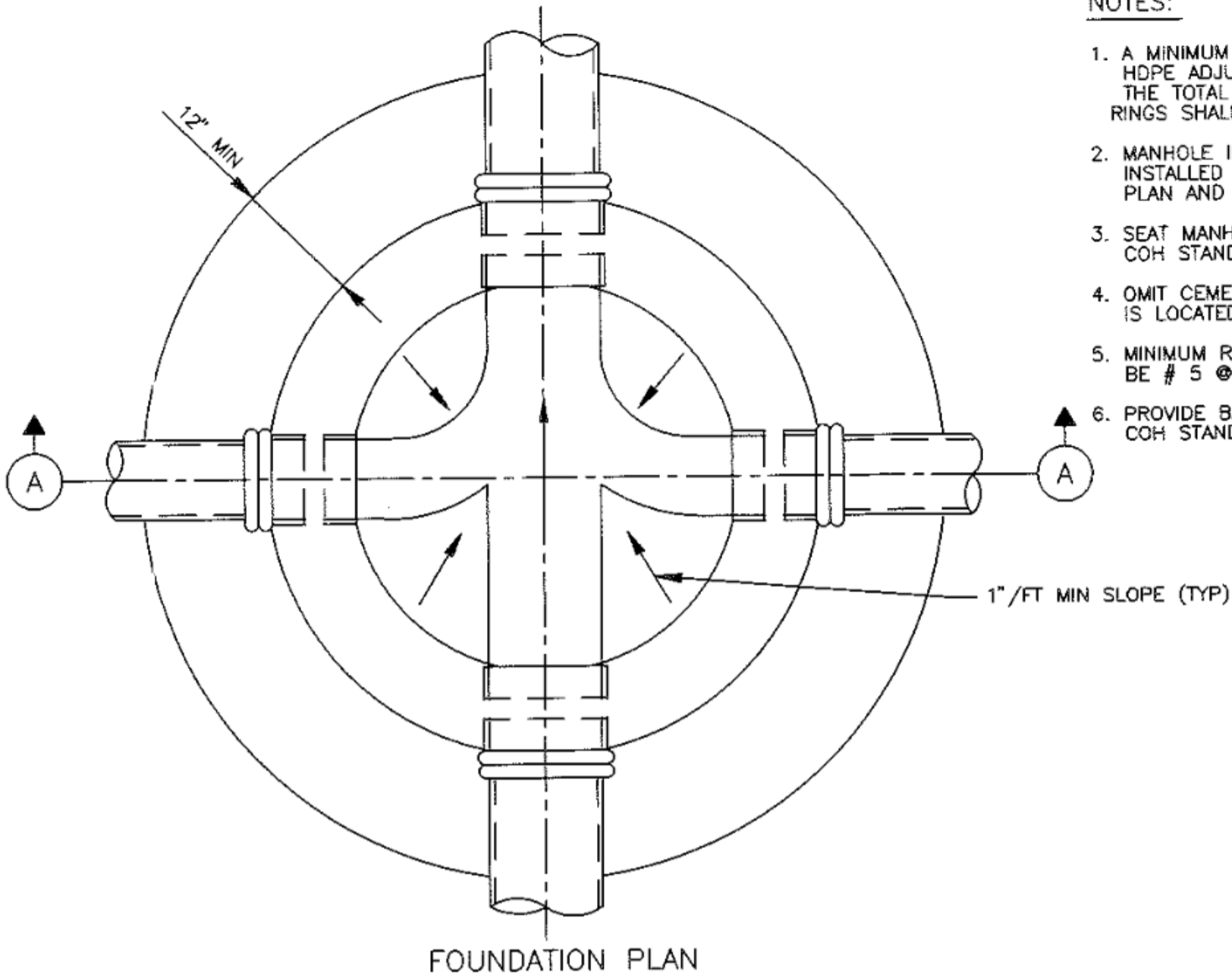


NOTES:

1. A MINIMUM OF 3" PRECAST CONCRETE OR HDPE ADJUSTMENT RING SHALL BE PROVIDED. THE TOTAL HEIGHT OF THE ADJUSTMENT RINGS SHALL NOT EXCEED 12".
2. MANHOLE INTERSECTING PIPES SHALL BE INSTALLED ONLY WHEN CALLED FOR IN PLAN AND PROFILE DRAWING.
3. SEAT MANHOLE FRAME IN SEALANT PER COH STANDARD SPECIFICATION.
4. OMIT CEMENT MORTAR WHEN MANHOLE IS LOCATED IN PAVED AREAS.
5. MINIMUM REINFORCING IN THE BASE BE # 5 @ 8 EW.
6. PROVIDE BACKFILL MATERIAL AS PER COH STANDARD SPECIFICATION.



SECTION A

| | |
|--|---|
| CITY OF HOUSTON DEPARTMENT OF PUBLIC WORKS AND ENGINEERING ENGINEERING, CONSTRUCTION AND REAL ESTATE DIVISION | |
| SANITARY SEWER SHALLOW MANHOLE (NOT TO SCALE) | |
| APPROVED BY: <i>[Signature]</i> CITY ENGINEER | APPROVED BY: <i>[Signature]</i> DIRECTOR OF PUBLIC WORKS AND ENGINEERING |
| EFF DATE: OCT-01-2002 | DWG NO: 02082-01 |