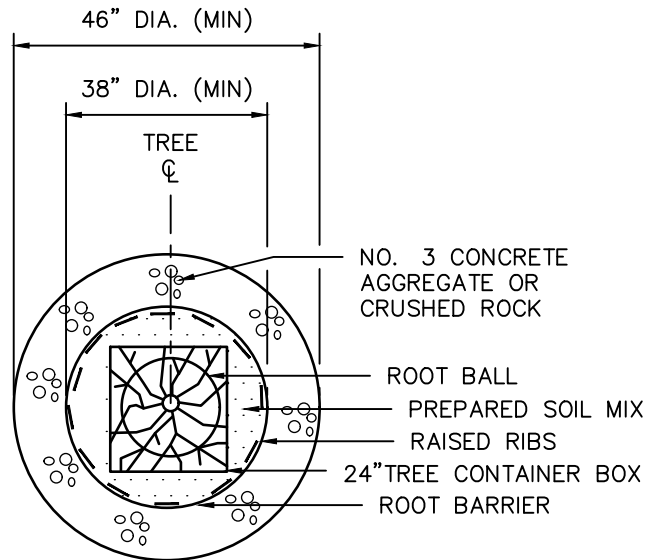


PLAN VIEW A

TYPE 1 (15 GAL./4 PANELS)

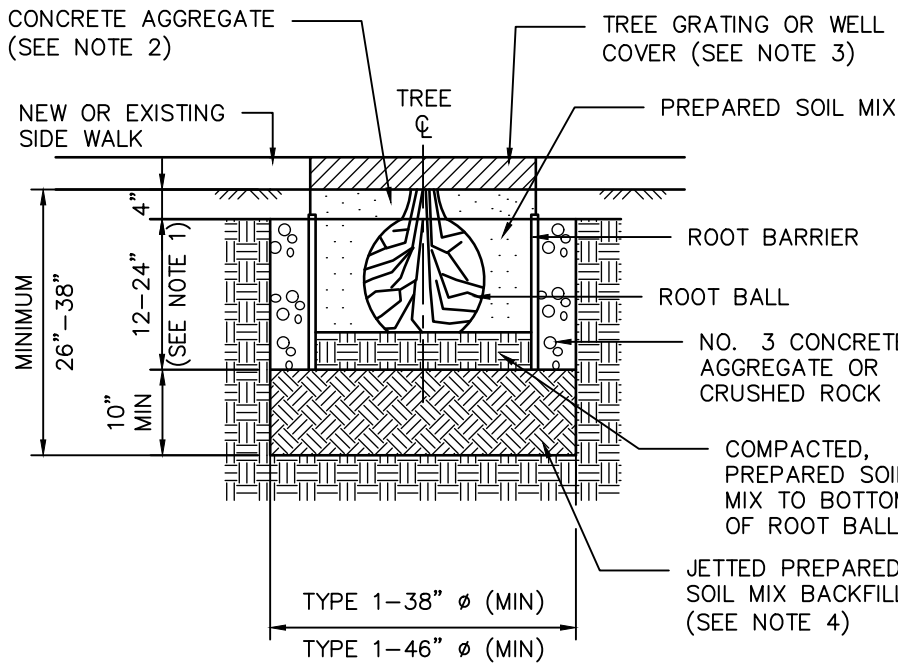


PLAN VIEW B

TYPE 2 (24" BOX/5 PANELS)

NOTES:

1. ROOT BARRIERS SIZES 12"–24" SHALL BE USED DEPENDS ON THE SIZE OF THE TREE. SIZES 36" AND 48" ARE RECOMMENDED TO BE USED AT SLOPES AND RETAINING WALLS WHEN ADDITIONAL DEPTH IS REQUIRED.
2. CONCRETE AGGREGATE ONLY BE USED TO RAISE THE ELEVATION OF THE WELL COVER/TREE GRATING TO MATCH THE SIDE WALKS. IF TREE WELL COVER IS NOT REQUIRED, THE GRADE SURFACE OF THE TREE WELL SHALL BE 1" LOWER THAN THE SIDE WALK.
3. REFER PROJECT PLAN AND CITY OF HOUSTON STANDARDS FOR TREE GRATING/WELL COVER REQUIREMENTS.
4. PREPARED SOIL MIX SHALL BE PLACED IN PLANTING HOLE AND TEMPED TO BOTTOM OF ROOT BALL ELEVATION PRIOR TO PROCEEDING WITH TREE PLANTING. FOR PLANTING AND TREE MAINTENANCE, REFER STANDARD LANDSCAPE PLANTING SPECIFICATION FOR CITY OF HOUSTON.



ELEVATION VIEW

DISCLAIMER: THE USE OF THIS STANDARD IS GOVERNED BY THE TEXAS ENGINEERING PRACTICE ACT. THE DESIGN REQUIREMENTS ON THIS STANDARD DO NOT PURPORT TO ADDRESS ALL OF THE SAFETY CONCERNS ASSOCIATED WITH THEIR USE. THE ENGINEER OF RECORD (EOR) IS TO REVIEW THESE DESIGN REQUIREMENTS AND BY AUTHORIZING THEIR USE, ACCEPTS RESPONSIBILITY FOR THEIR APPLICABILITY, ADEQUACY AND SAFETY. NO WARRANTY OF ANY KIND IS MADE BY THE CITY OF HOUSTON FOR ANY PURPOSES WHATSOEVER. THE CITY OF HOUSTON ASSUMES NO RESPONSIBILITY FOR INCORRECT RESULTS OR DAMAGES RESULTING FROM ITS USE.

APPROVED BY:

DocuSigned by:
Suhail Kanwar
9EF8B0C641F5478...
CITY ENGINEER

DocuSigned by:
Carol Haddock
A93C410B72B3453...
DIRECTOR OF HPW

CITY OF HOUSTON
HOUSTON PUBLIC WORKS STANDARD

TREE ROOT BARRIERS
(CIRCULAR)

(SCALE: NOT TO SCALE)

EFF DATE: NOV-27-2023 | DWG NO: 02912-01