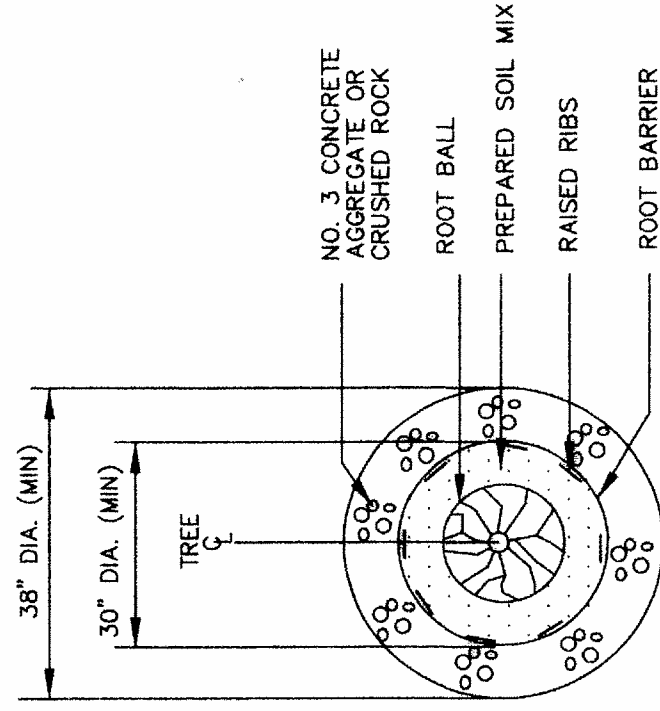
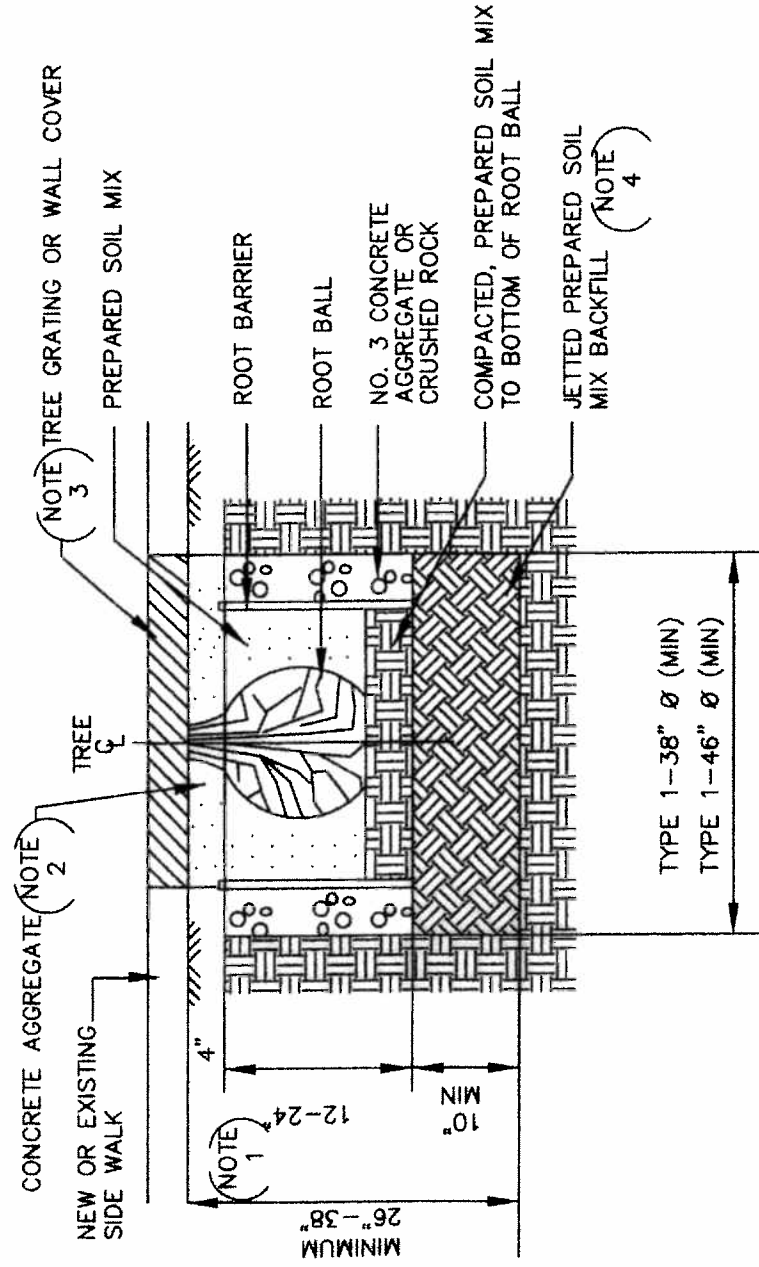


TYPE 2 (24" BOX/5 PANELS)



TYPE 1 (15 GAL./4 PANELS)



SECTION

NOTES:

1. ROOT BARRIERS, SIZES 12"-24" SHALL BE USED DEPENDS ON THE SIZE OF THE TREE. SIZES 36" AND 48" ARE RECOMMENDED TO BE USED AT SLOPES AND RETAINING WALLS WHEN ADDITIONAL DEPTH IS REQUIRED.
2. CONCRETE AGGREGATE ONLY BE USED TO RAISE THE ELEVATION OF THE WELL COVER/TREE GRATING TO MATCH THE SIDE WALKS. IF TREE WELL COVER IS NOT REQUIRED, THE GRADE SURFACE OF THE TREE WELL SHALL BE 1" LOWER THAN THE SIDE WALK.
3. REFER PROJECT PLAN AND CITY OF HOUSTON STANDARDS FOR TREE GRATING/WELL COVER REQUIREMENTS.
4. PREPARED SOIL MIX SHALL BE PLACED IN PLANTING HOLE AND TEMPED TO BOTTOM OF ROOT BALL ELEVATION PRIOR TO PROCEEDING WITH TREE PLANTING. FOR PLANTING AND TREE MAINTENANCE, REFER STANDARD LANDSCAPE PLANTING SPECIFICATION FOR CITY OF HOUSTON.

CITY OF HOUSTON

DEPARTMENT OF PUBLIC WORKS AND ENGINEERING

TREE ROOT BARRIERS (CIRCULAR)

(NOT TO SCALE)

APPROVED BY: *Mark Wood*
CITY ENGINEER

APPROVED BY: *Mark Wood*
DIRECTOR OF PUBLIC WORKS AND ENGINEERING

EFF DATE: JULY-01-2009 DWG NO: 02912-01