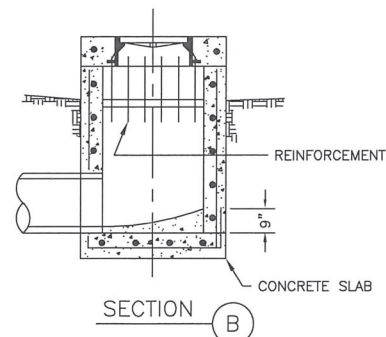
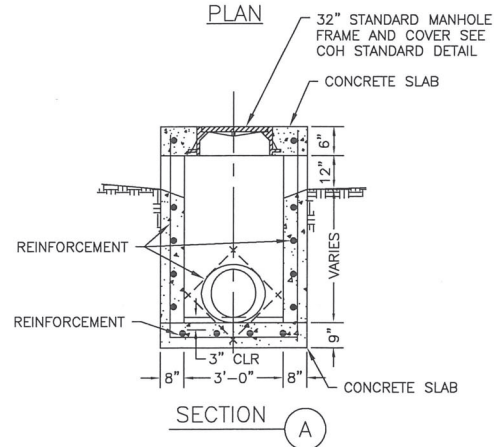
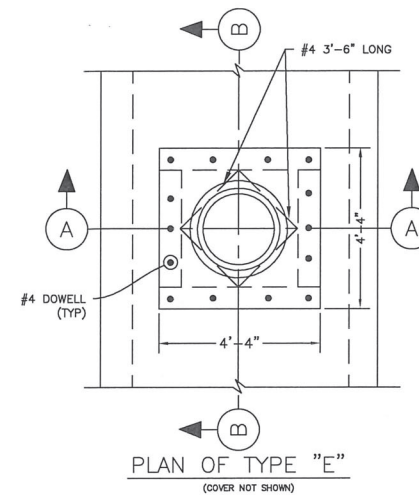


NOTE:  
1. TYPE "E" INLET TOP CAN BE CONSTRUCTED ON A STANDARD "C" MANHOLE.

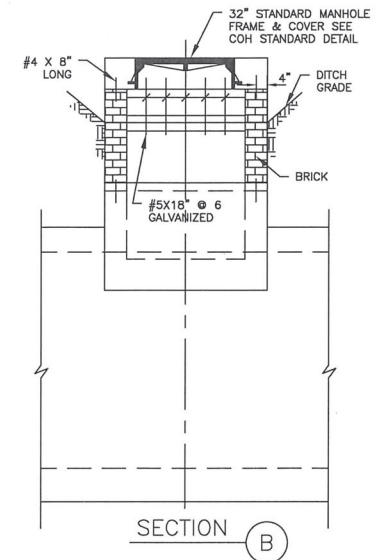
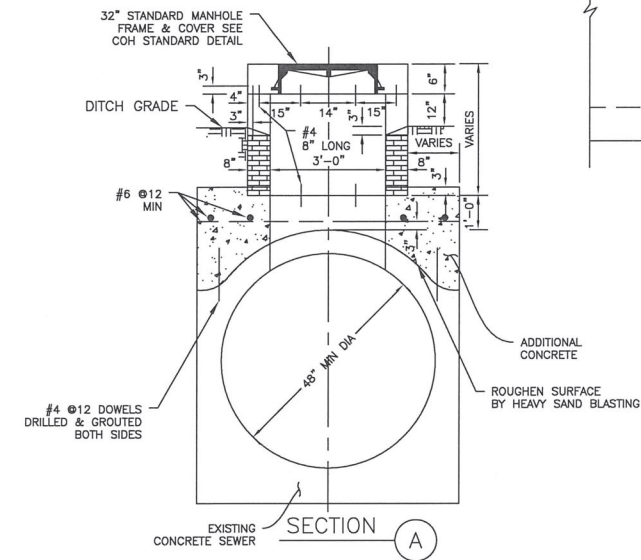


**STORM SEWER TYPE "E" INLET**  
NTS

**COH IS PHASING OUT BRICK. NEW DETAILS TO BE POSTED END OF 2019**



NOTE:  
1. 8" CONCRETE WALLS MAY BE CONSTRUCTED IN LEU OF 8" BRICK WALLS.



**STORM SEWER TYPE "E" INLET ON EXIST MONOLITHIC CONC SEWERS OF 4.8" DIA & GREATER**  
NTS

FIRM INFORMATION		ENGINEER'S SEAL	
<b>CITY OF HOUSTON</b> HOUSTON PUBLIC WORKS			
STORM SEWER 02632-09 AND 02632-10			
APPROVED BY: <i>Rich T. ...</i> CITY ENGINEER	APPROVED BY: <i>[Signature]</i> DEPUTY DIRECTOR		
APPROVED BY: <i>Carol Haddock</i> DIRECTOR			
EFFECTIVE DATE: JUL-01-2019			
FOR CITY OF HOUSTON USE ONLY			
SHEET NO.			