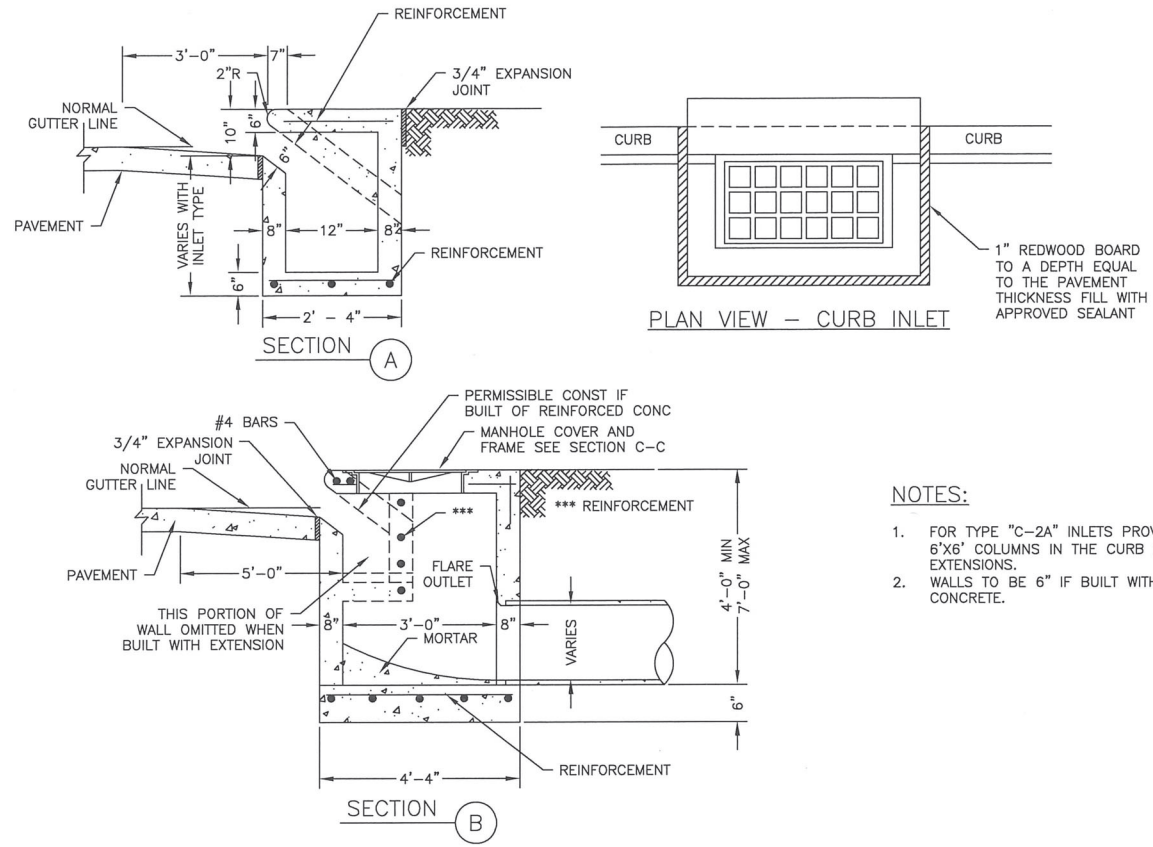
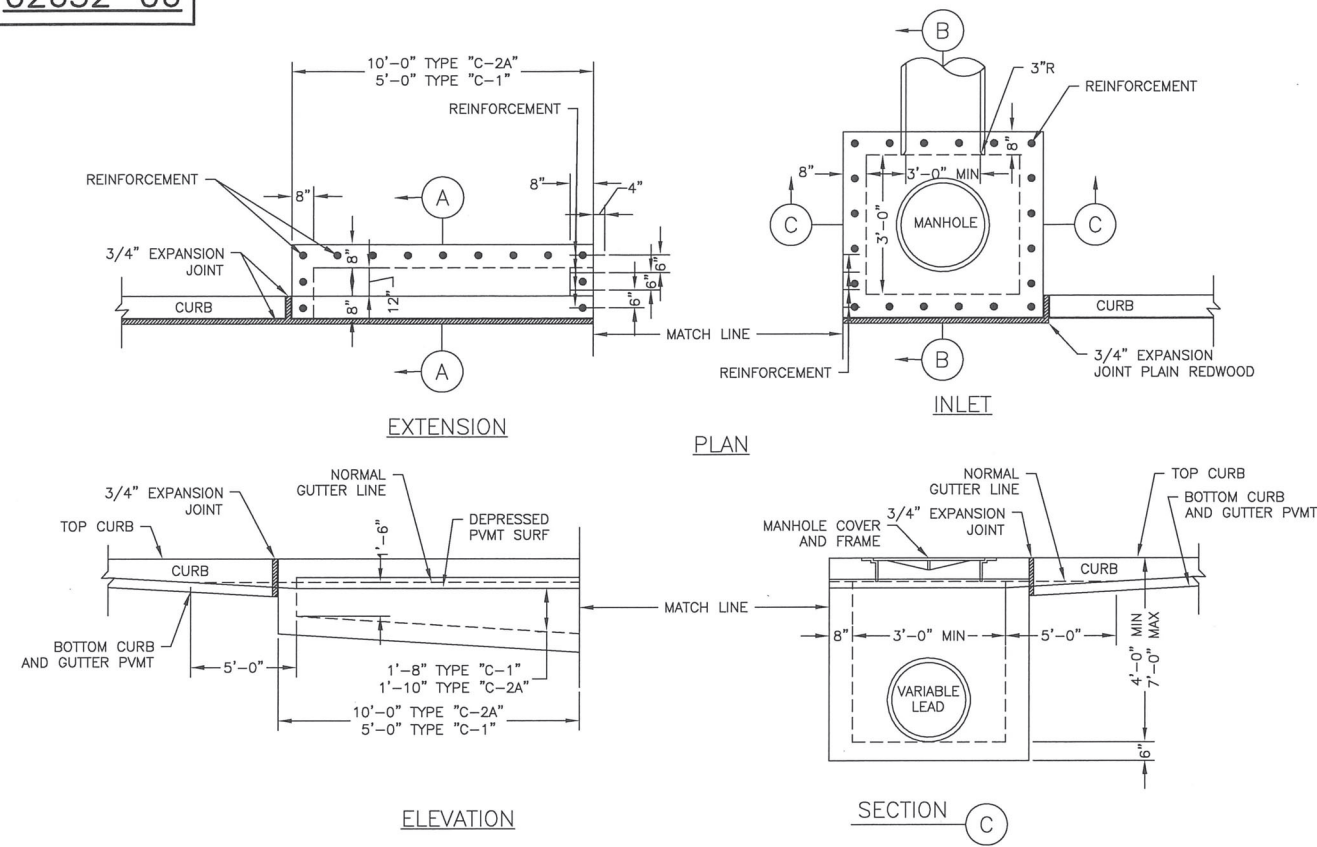


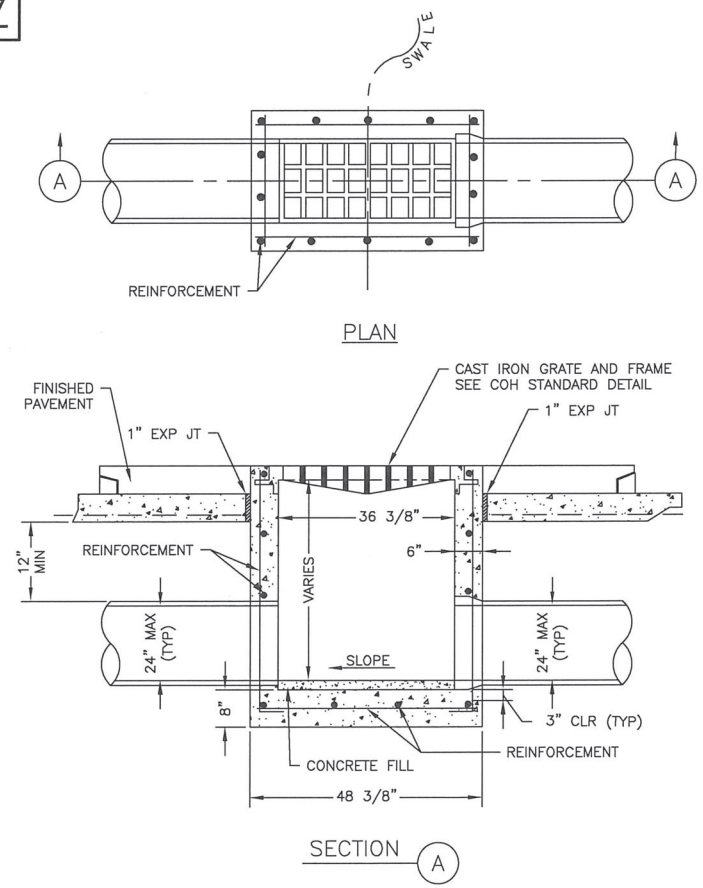
02632-06



- NOTES:**
1. FOR TYPE "C-2A" INLETS PROVIDE A CENTER 6"x6" COLUMNS IN THE CURB LINE BETWEEN ALL EXTENSIONS.
 2. WALLS TO BE 6" IF BUILT WITH REINFORCED CONCRETE.

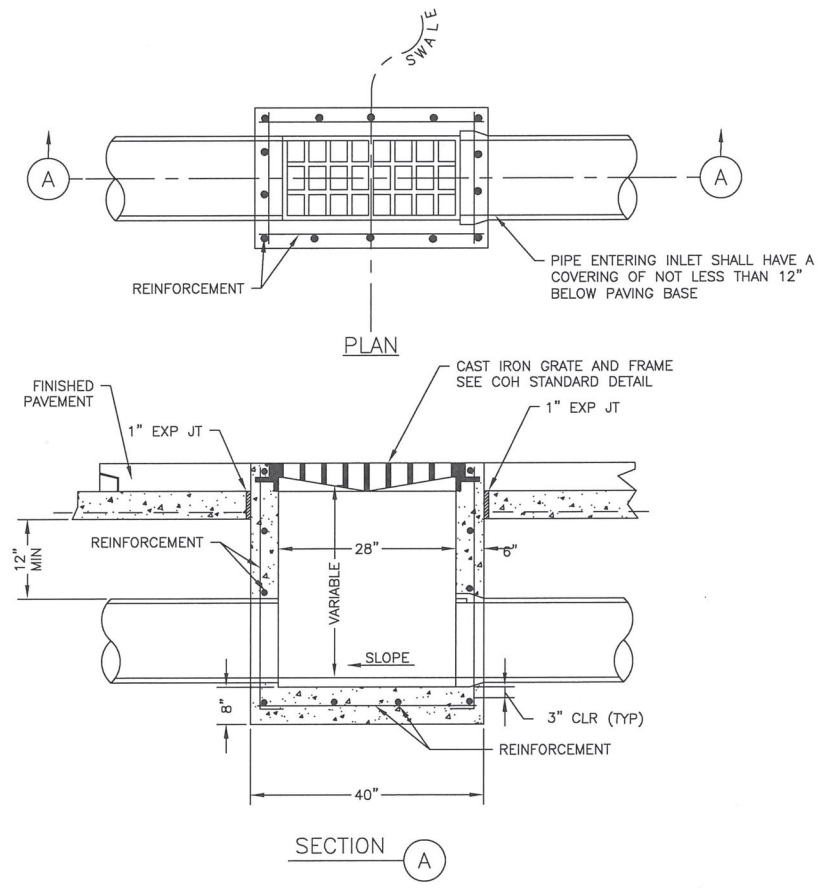
STORM SEWER TYPE "C-1", "C-2" AND "C-2A" INLET
 NTS

02632-07



STORM SEWER TYPE "D" INLET
 NTS

02632-08



STORM SEWER TYPE "D-1" INLET
 NTS

FIRM INFORMATION	ENGINEER'S SEAL
CITY OF HOUSTON HOUSTON PUBLIC WORKS	
STORM SEWER 02632-06 THROUGH 08	
APPROVED BY: <i>John P. [Signature]</i> CITY ENGINEER	APPROVED BY: <i>[Signature]</i> DEPUTY DIRECTOR
APPROVED BY: <i>Carol Haddock</i> DIRECTOR	
EFFECTIVE DATE: JUL-01-2019	
FOR CITY OF HOUSTON USE ONLY	

SHEET NO.