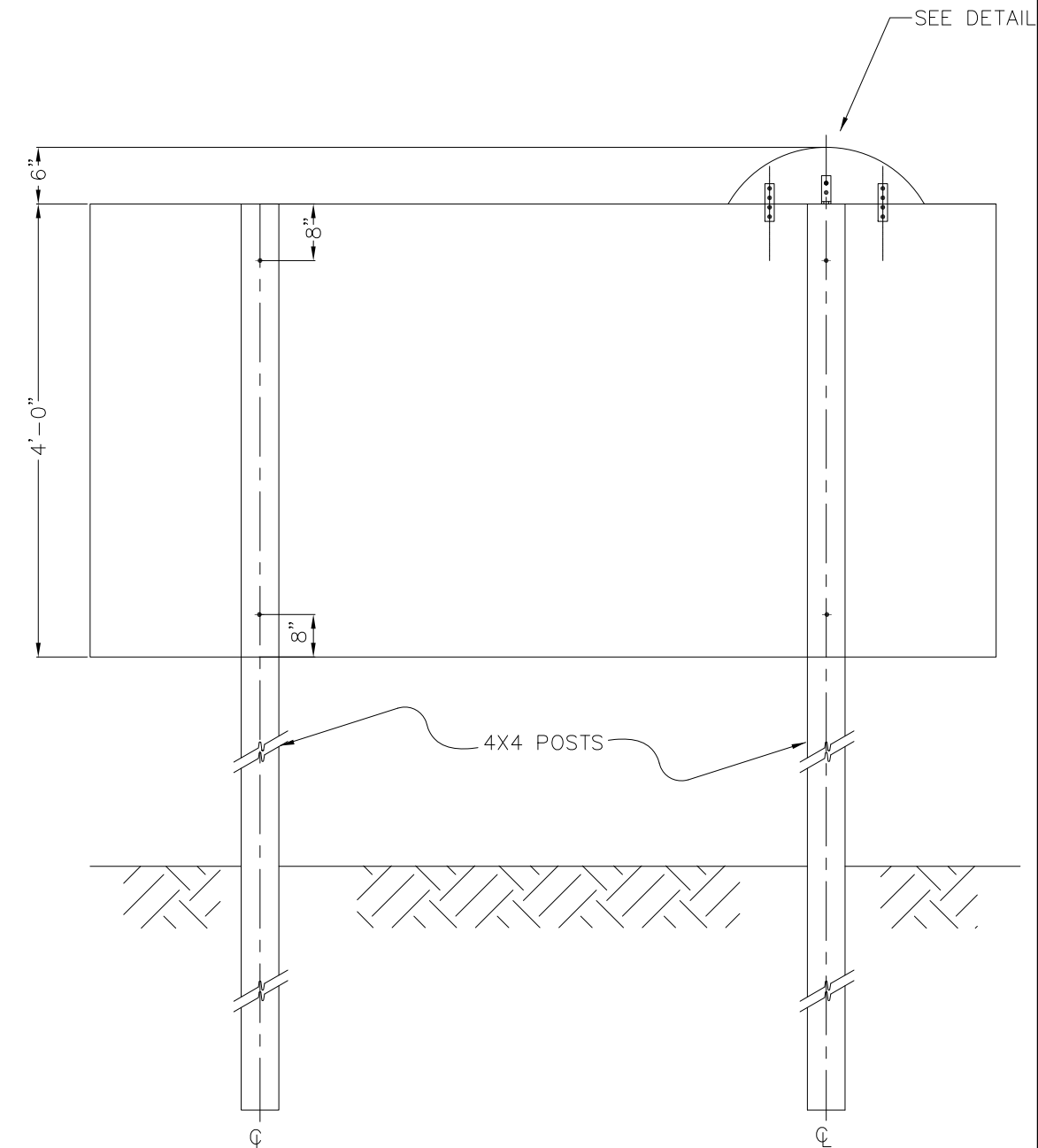
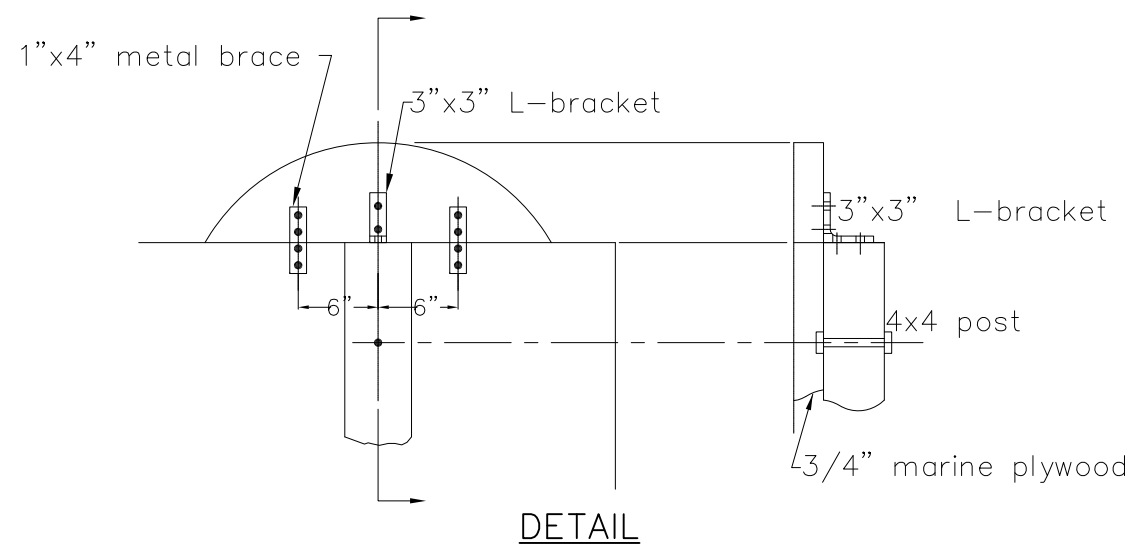


FRONT VIEW



BACK VIEW



DETAIL

CITY OF HOUSTON DEPARTMENT OF PUBLIC WORKS AND ENGINEERING	
CONSTRUCTION SIGN (NOT TO SCALE)	
APPROVED: <i>[Signature]</i> CITY ENGINEER	APPROVED: <i>[Signature]</i> DIRECTOR OF PUBLIC WORKS AND ENGINEERING
EFF DATE: JAN-25-2012	DWG NO: 01580-03