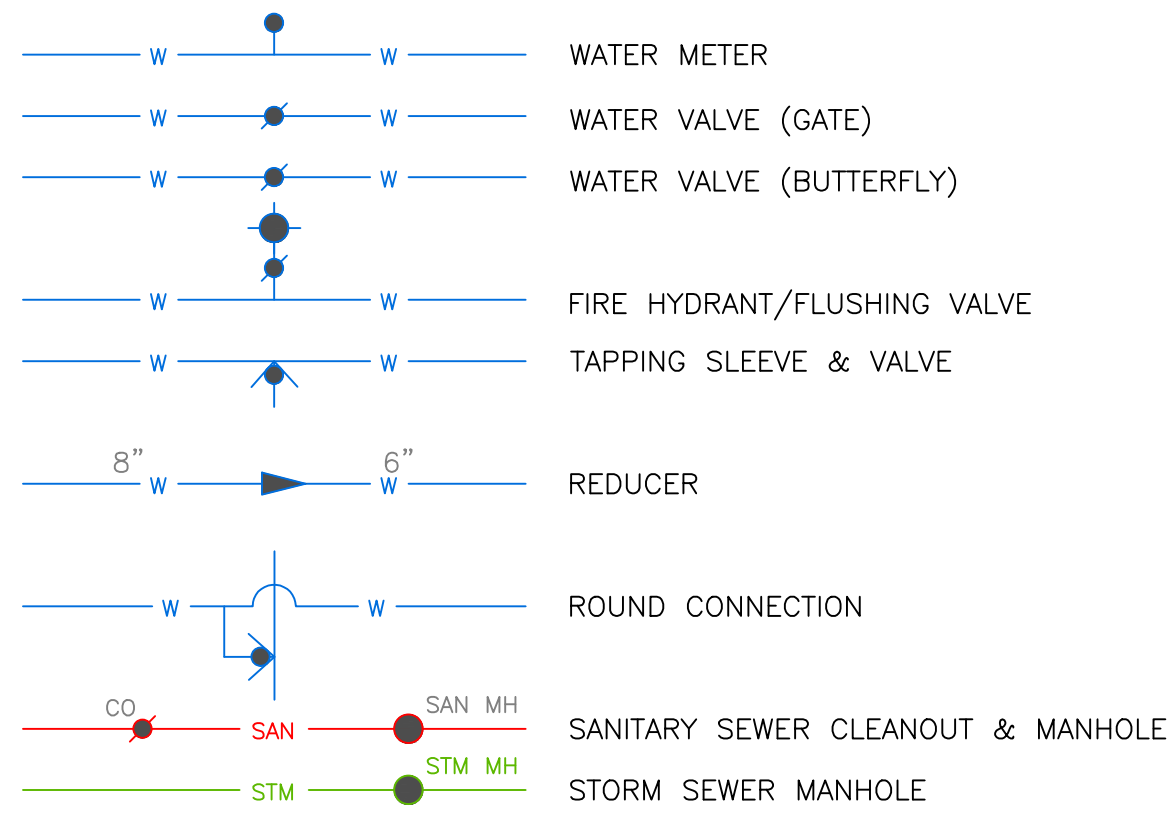
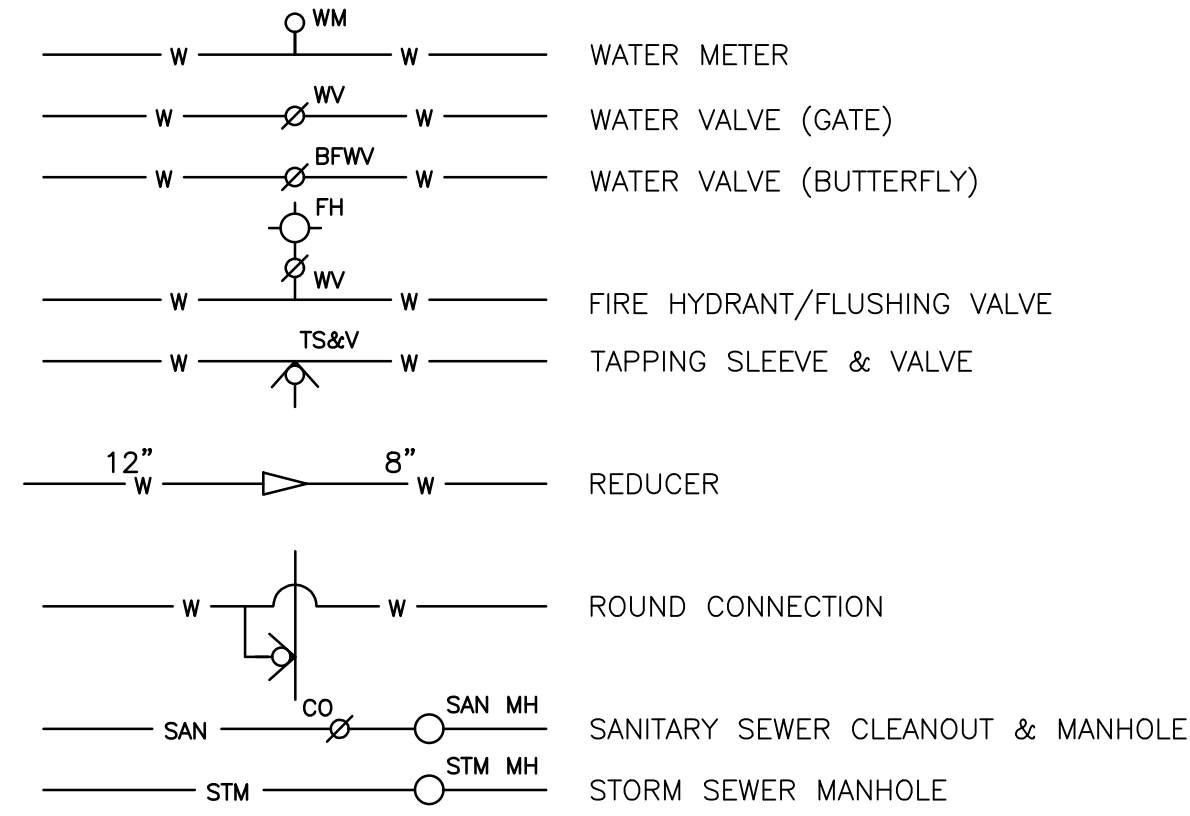


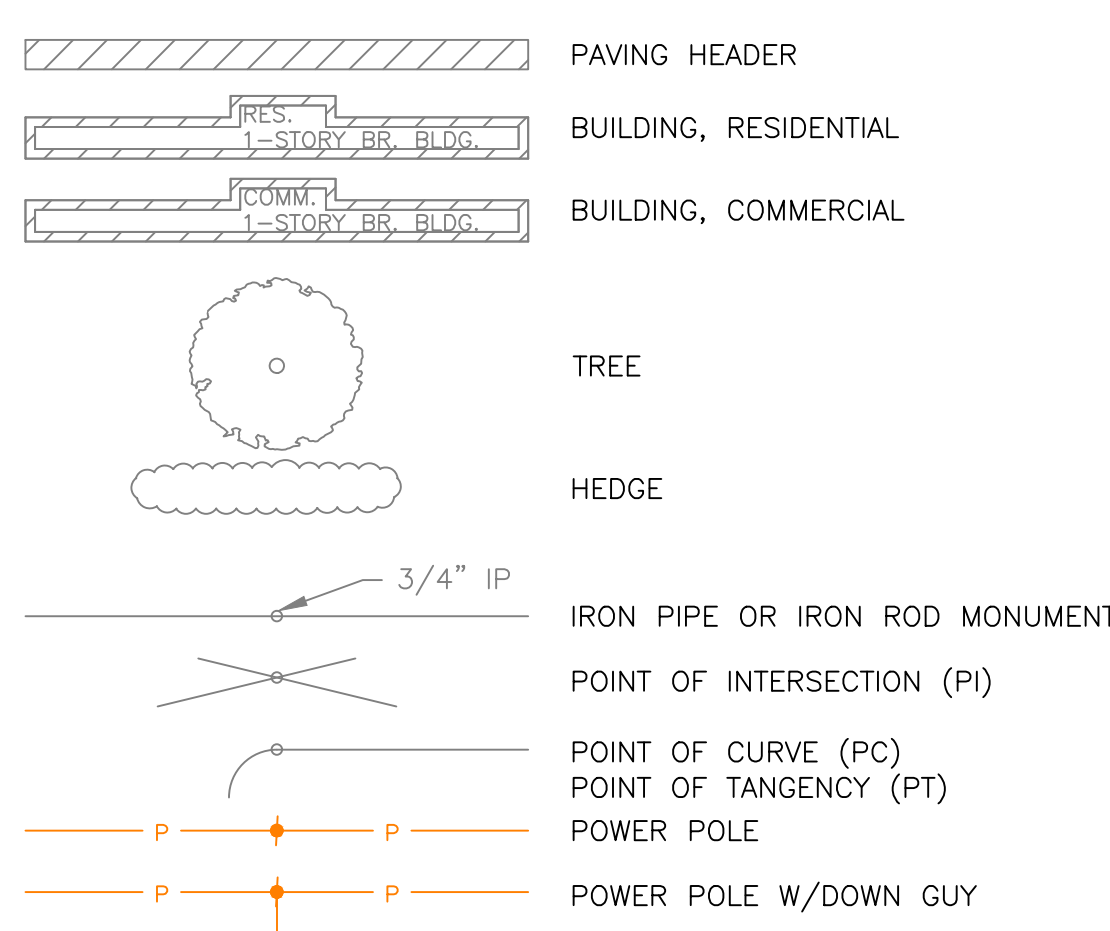
EXISTING PLAN VIEW



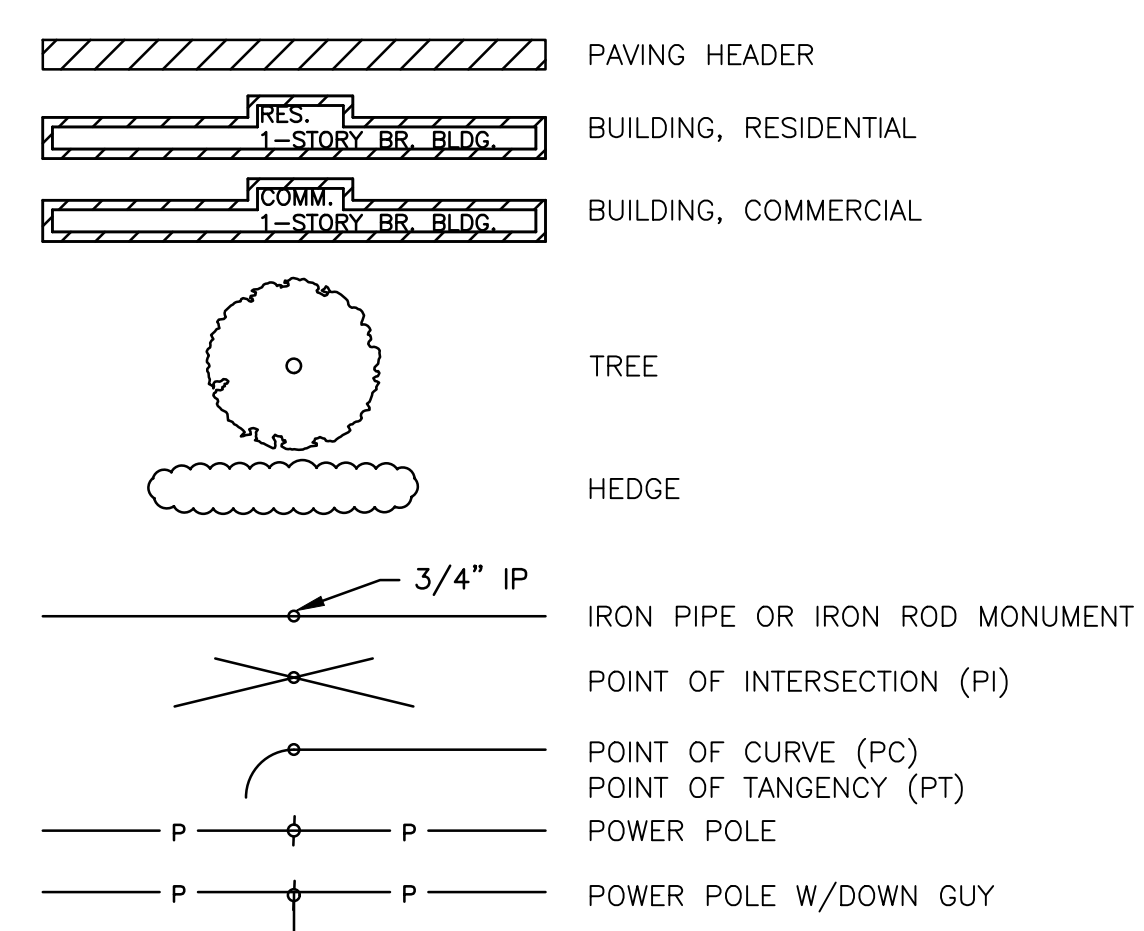
PROPOSED PLAN VIEW



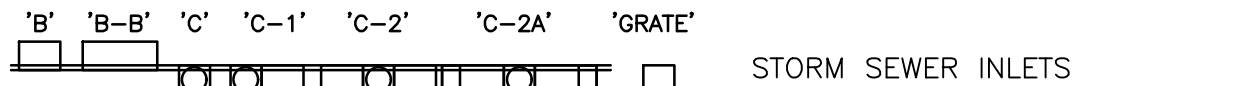
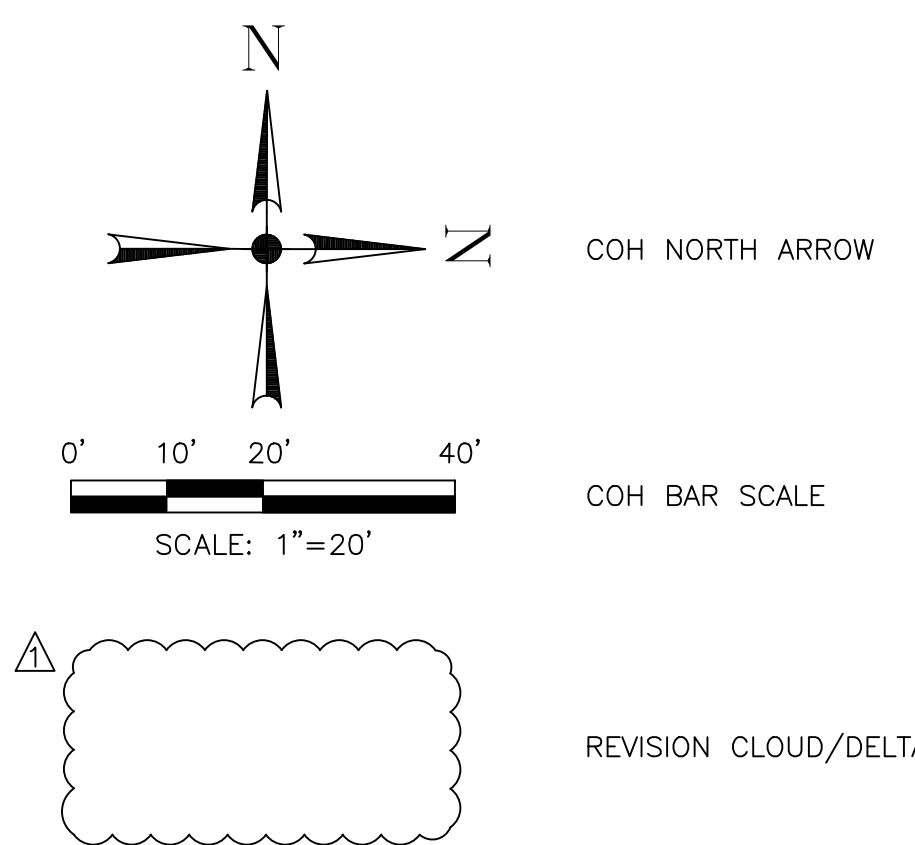
EXISTING PLAN VIEW



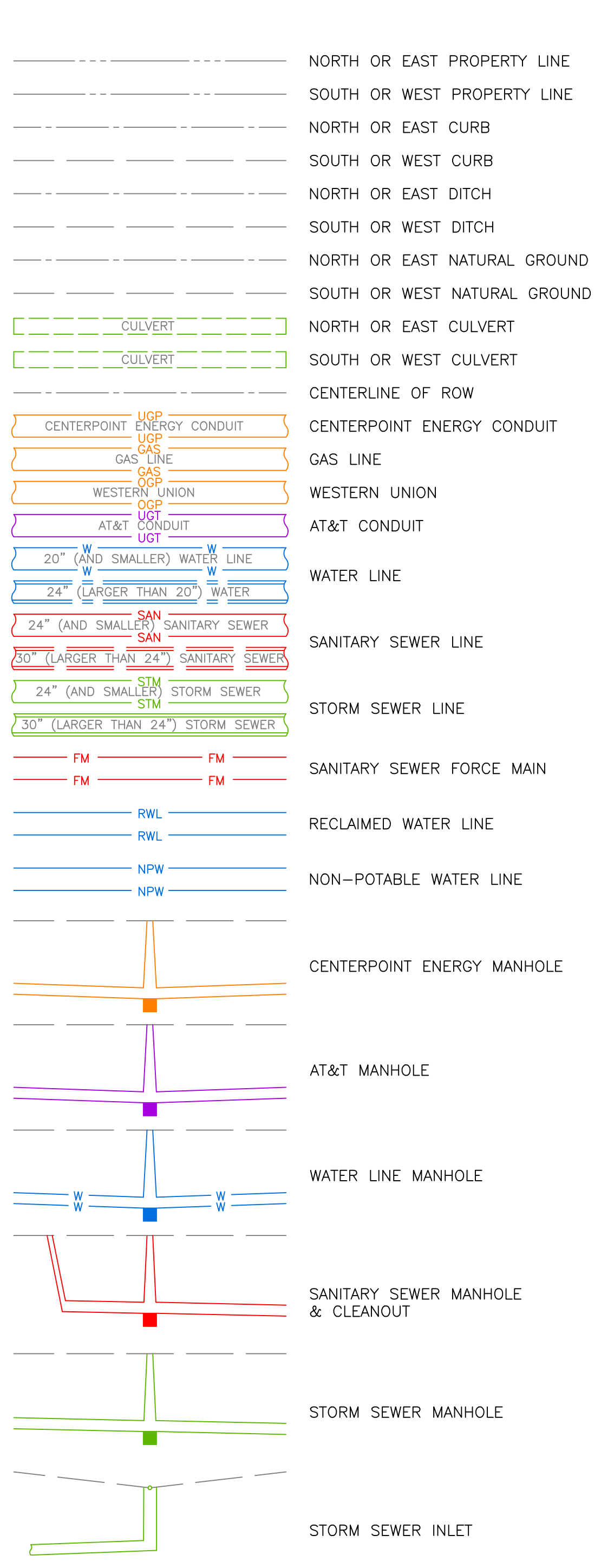
PROPOSED PLAN VIEW



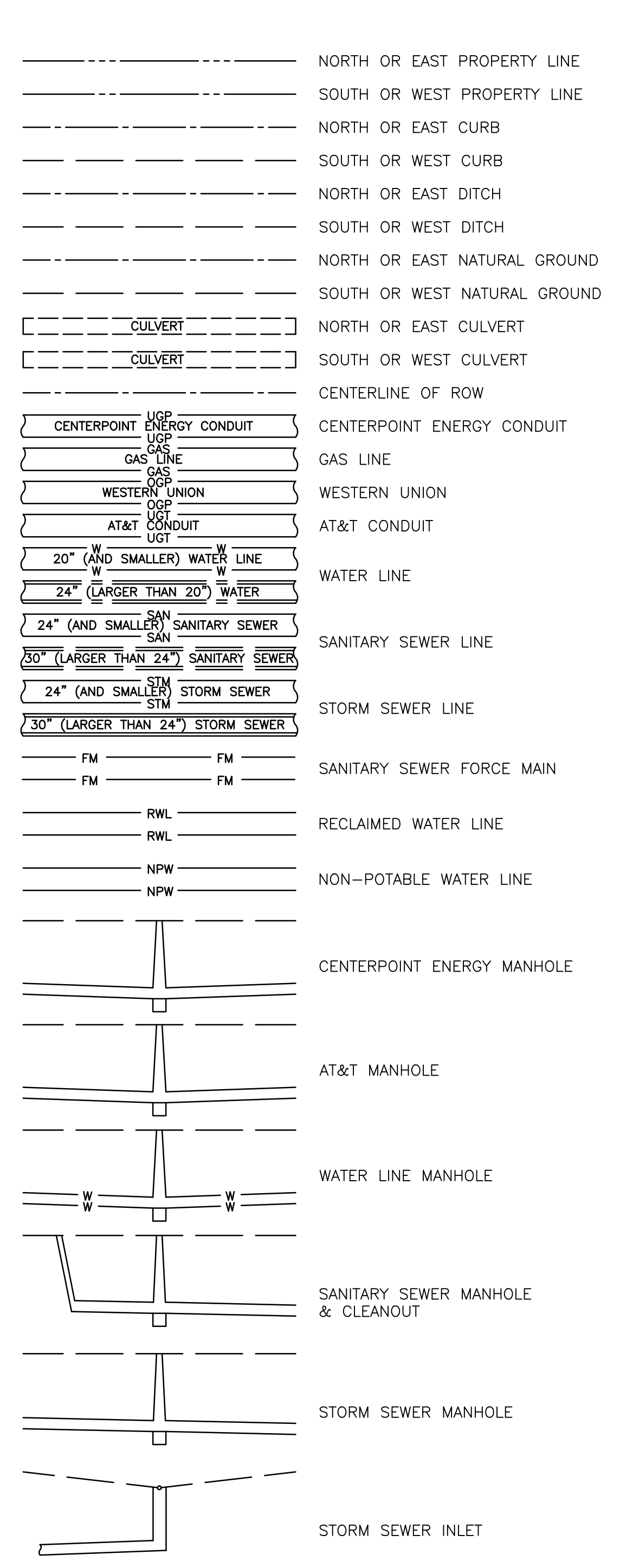
MISC STANDARD ELEMENTS



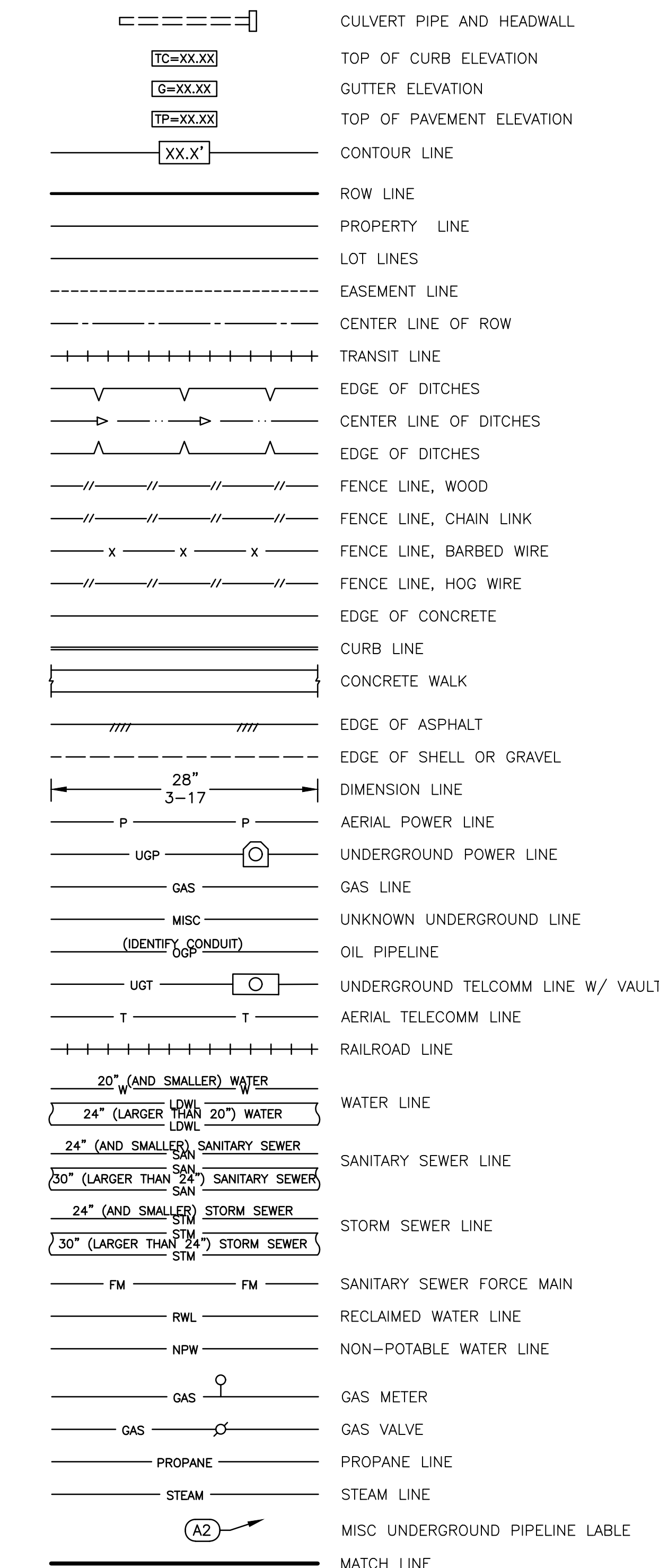
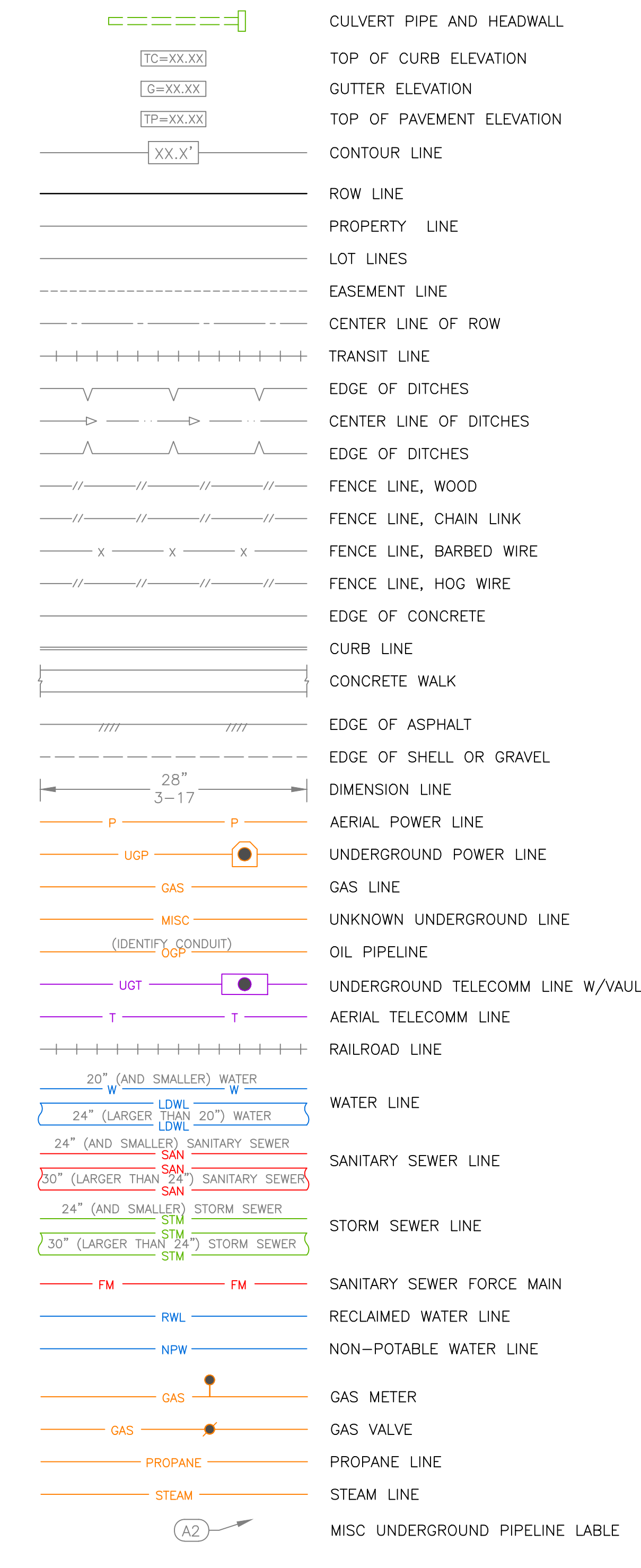
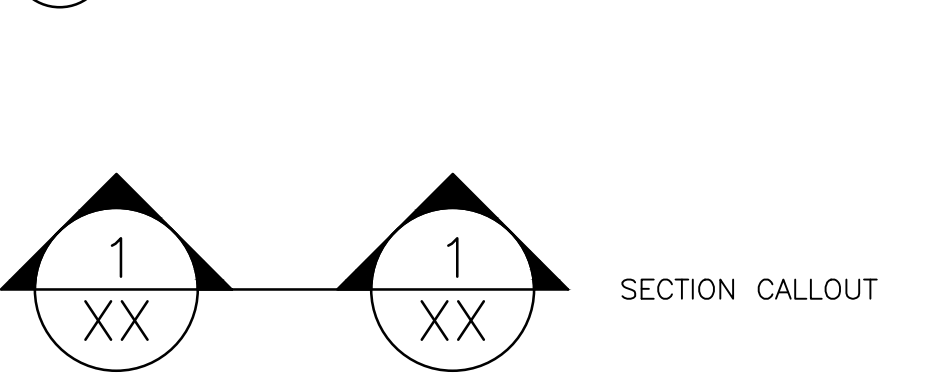
EXISTING PROFILE VIEW



PROPOSED PROFILE VIEW



VIEW TITLE



DESIGN ENGINEER NAME	ENGINEER'S SEAL
ADDRESS	
TELEPHONE NUMBER TX FIRM NUMBER	
SURVEYED BY: FB NO. 000000	

CITY OF HOUSTON
HOUSTON PUBLIC WORKS

PROJECT
TITLE
SYMBOLS

WBS NUMBER	FOR CITY OF HOUSTON USE ONLY
X-000X00-0000-X	
DRAWING SCALE	
AS NOTED	
CITY OF HOUSTON PM	
JOHN DOE, P.E.	
SHEET NO. XX OF XX	