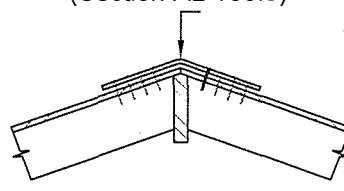


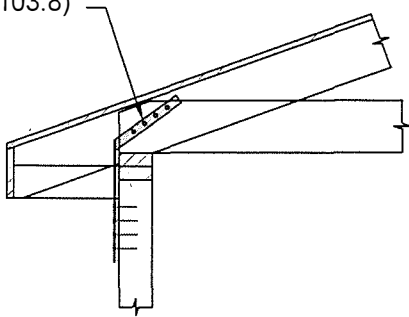
RIDGE TIES

Tie straps spaced at 32" max and connected with 8-8d nails.
(Section AL 103.9)



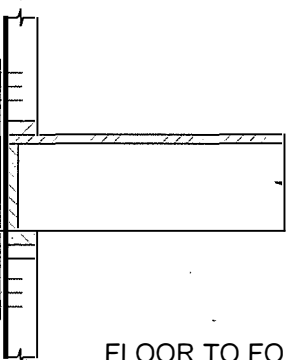
ROOF MEMBERS TO WALL TIES

Tie straps shall be placed at every roof-framing member and connected with a minimum of 8-8d nails.
(Section AL 103.8)



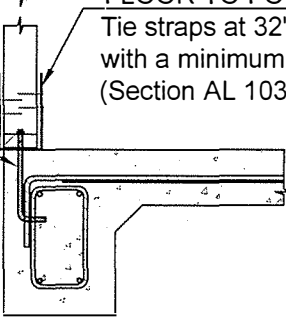
FLOOR TO FLOOR TIES

Tie straps at 32" max, connected with a minimum of 6-8d nails.
(Section AL 103.7)



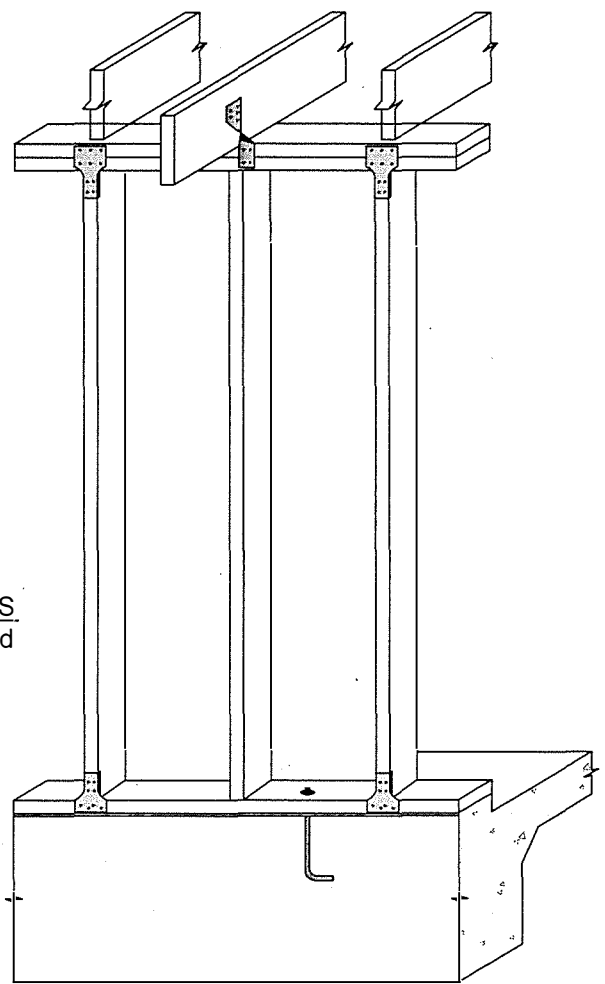
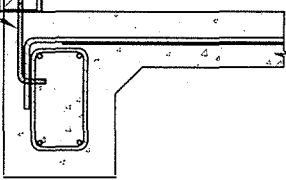
FLOOR TO FOUNDATION TIES

Tie straps at 32" max, connected with a minimum of 4-10d nails.
(Section AL 103.4)



SILL TO FOUNDATION TIES

1/2" X 10" J-bolt, spaced @ 4' max. o.c.
(Section AL 103.3)

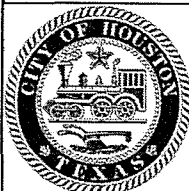


WALL FRAMING DETAILS

Mechanical fasteners shall be installed at a maximum of 32" o.c. to connect studs to top plates, sole plates and sill plates
Fasteners shall be nailed with a minimum of 8-8d nails.
(Section AL 103.5)

NOTES

1. Tie straps shall be 1¹/₈" x .036" (20 gage) sheet steel and shall be corrosion-resistant.
2. Pre-manufactured connectors that provide equal or greater tie-down capacity may be used provided that their application complies with all the manufacturer's specifications.



STANDARD DRAWING

CITY OF HOUSTON
DEPARTMENT OF PUBLIC
WORKS & ENGINEERING

APPENDIX L ILLUSTRATION

1002 WASHINGTON AVE., HOUSTON, TEXAS 77002

APPROVED BY:

BUILDING OFFICIAL

DATE:
11/17/2016

DWG No:
16-06-R

1 of 1